



**DUAL ZONE  
INSTALL KIT  
USER/INSTALLATION  
MANUAL**  
[www.aerpro.com](http://www.aerpro.com)



## Product overview

The Aerpro FP9450BK/GK VE Facia Installation Kit is Australian designed and engineered and has been made for fitting a double DIN aftermarket radio, CD or DVD player to the original double DIN enclosure. It suits VE series 1 dual climate models with full digital climate control. Compatible models for this kit are select SS variants and select HSV's.

**\*NOTE\***

The FP9450BK/GK is designed to fit vehicles with an open compartment. Vehicles with a 'LID' compartment will need to replace with either: **Aerpro AWCGM1 (Wireless Charging)** or **Aerpro WC62P (Panel Only)**



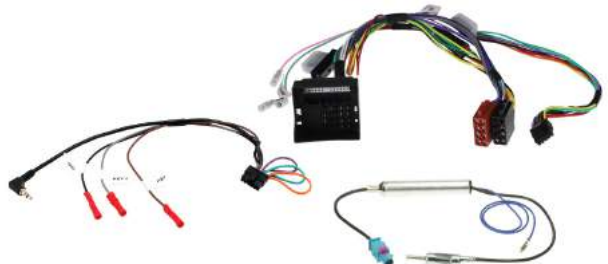
Example of factory fitted dual zone stereo



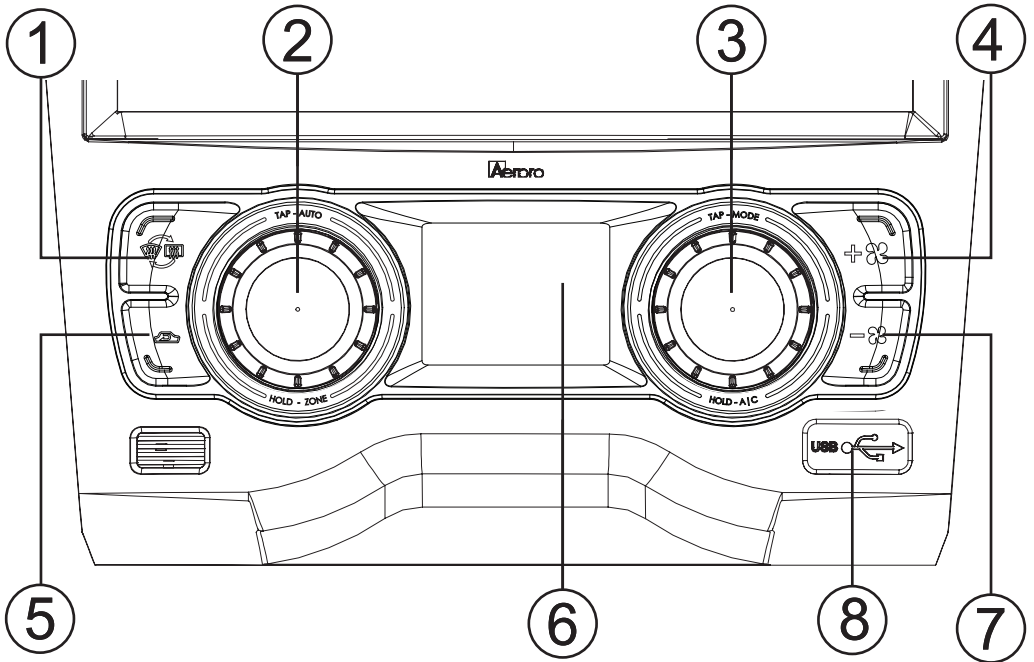
## Inclusions



- 1x ABS Plastic facia (Black or Grey colour) H-VAC controller and steering wheel control module built in
- 1x Universal patch lead
- 1x Vehicle specific wiring loom
- 1x Antenna adapter
- 1x Mounting kit
- 1x User/Install manual

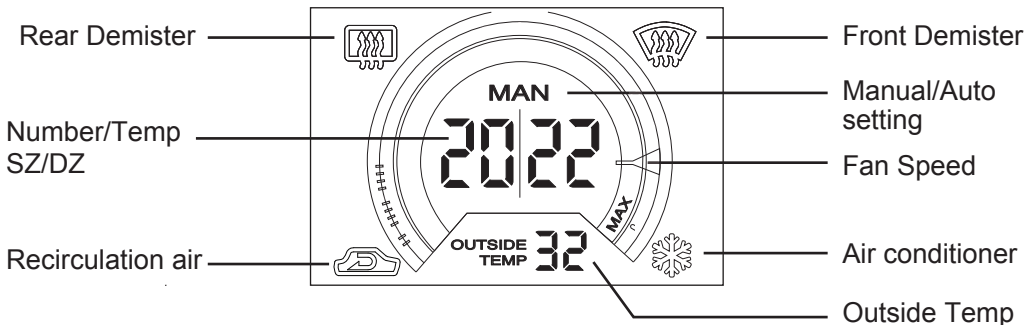


## Product structure



- |   |                                   |
|---|-----------------------------------|
| 1. Front/Rear demister air button             | 5. Recirculated air on/off button |
| 2. Left rotary dial button (Rotate,Tap,Hold)  | 6. LCD display information screen |
| 3. Right rotary dial button (Rotate,Tap,Hold) | 7. Fan speed DOWN                 |
| 4. Fan speed UP                               | 8. USB charging and sync port     |

## Screen display

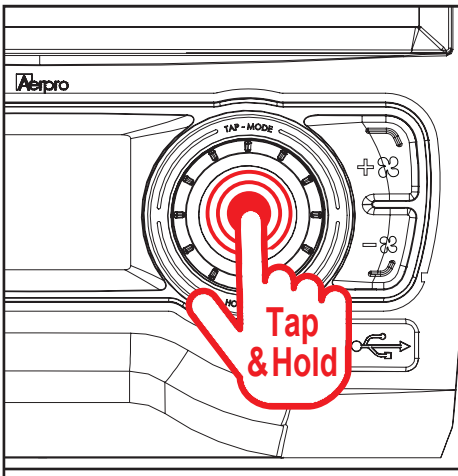


## Functions



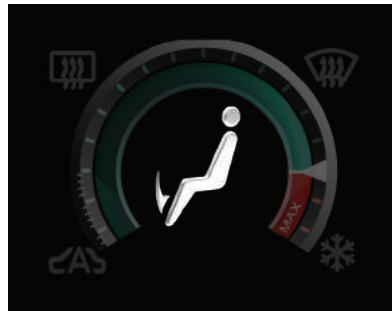
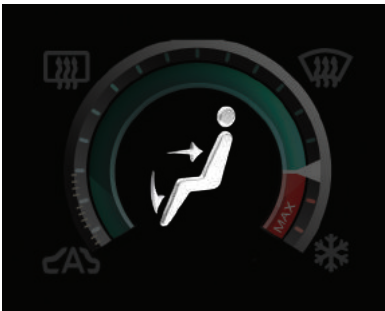
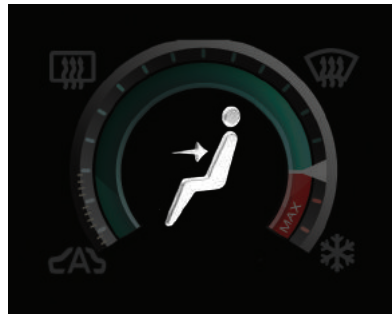
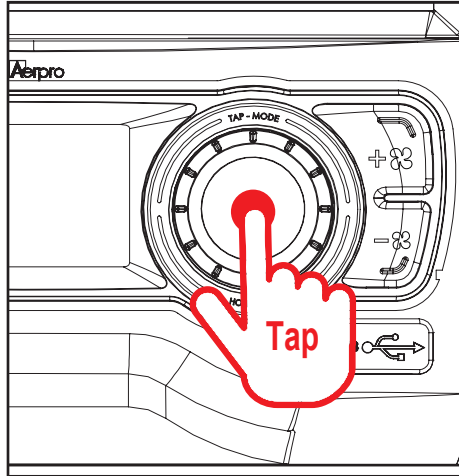
### Turning air-conditioning ON/OFF

Once powered up, **tap and hold** the right rotary dial button to turn the air-conditioner on. The LCD screen illuminates and the air-conditioner icon (Snowflake) illuminates. **Tap and hold again to turn off**. When turning on the air-conditioner the system will remember your previous user settings.



## Positioning

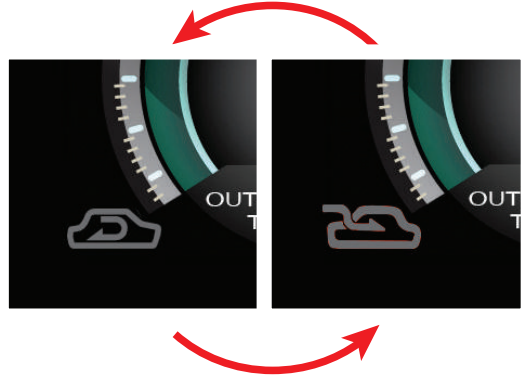
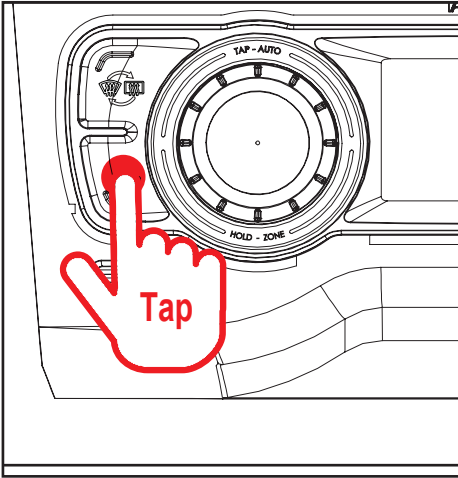
To select different air positions in the vehicle tap the **RIGHT** rotary button. Positions are for the Head/Feet, Chest, Chest/Feet and Feet (See icons below).



## Functions

### Recirculation/Air Passthrough button

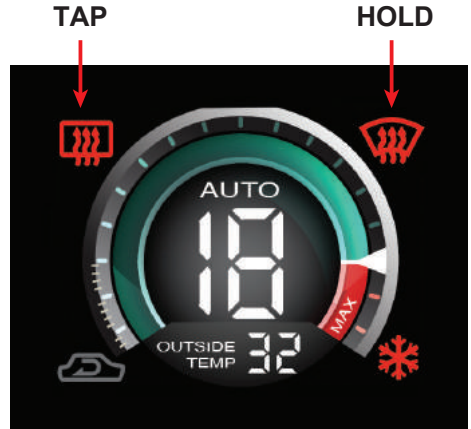
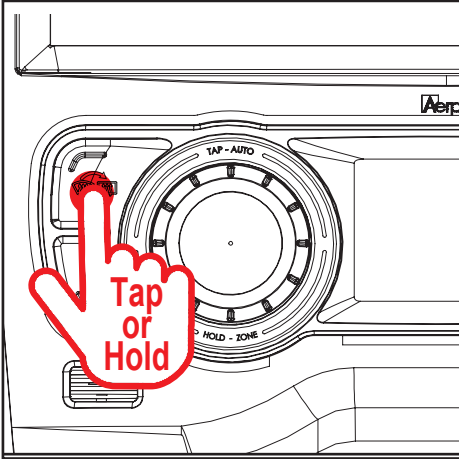
Tap this button to cycle between Recirculation and Air Passthrough. The corresponding icon will illuminate.



## Functions

### Front/Rear demister button

When air-conditioner is turned on tap this button to active **Rear Demister** or hold this button to activate the **Front Demister**.



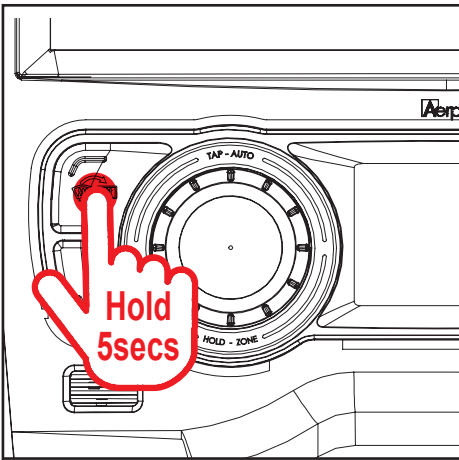
### Re-Calibrating your HVAC System

In the case that you may need to re-calibrate you heater valves or ducting positions. For exampe, your vents do not pass air through the correct vents or hot/cold does not feel correct.

**Tap and hold the Front Demister** button for 5 seconds or more until you hear the actuators in the car begin to re-calibrate.

#### **\*NOTE\***

Turning on **Front Demister** will automatically turn on A/C

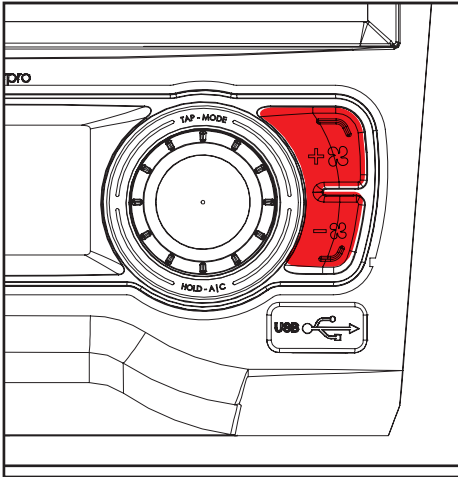




## Functions

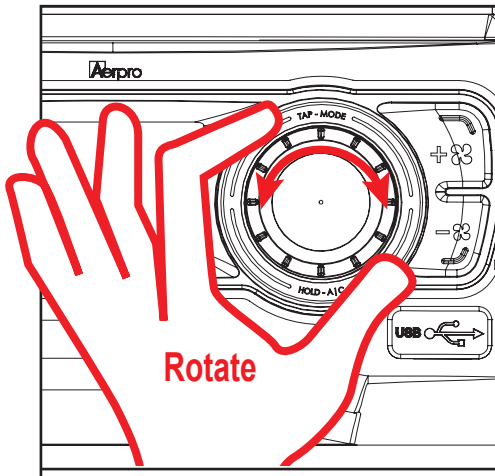
### Fan speed

To adjust the fan speed tap on either of the two right buttons. Top to increase fan speed and Bottom to lower fan speed.



### Air-conditioner temperature

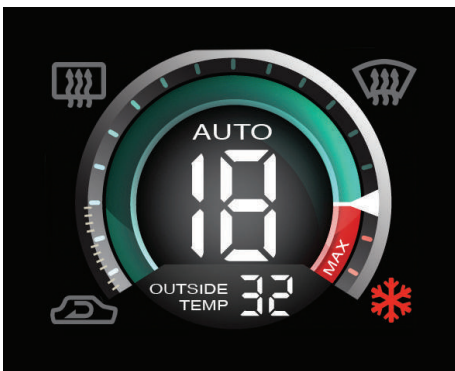
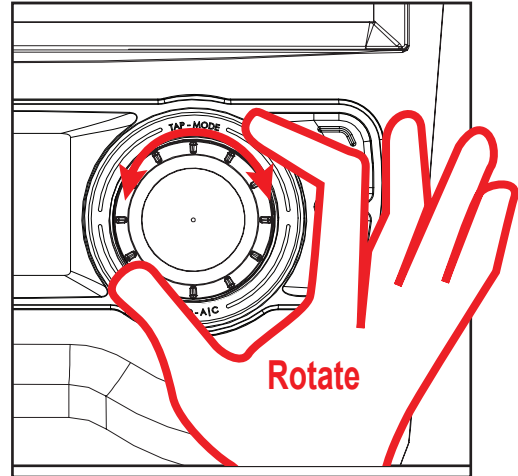
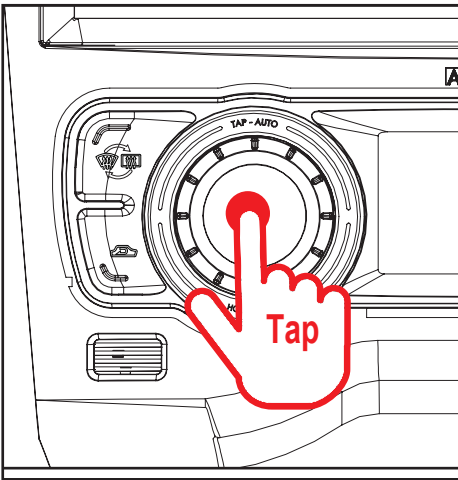
Turn the right rotary dial to the left or right to lower and raise the air-conditioner temperature. This is a numeric value from 15°C (lowest) to 29°C (highest).



## Functions

### Automatic climate control

To activate auto climate mode, tap the left hand rotary dial and then set the target temperature by rotating the right hand rotary dial to the desired level. The fans speed, the vent temperature and the air flow direction is fully automatic and will adjust itself based on what it needs to get to the required level.



The temperature can be set between **16°C and 29°C** when in **Climate Mode**.

#### \*NOTE\*

When the temperature is set to **16°C** or **29°C**. The **AUTO** symbol will turn off. This indicates the system will be running full **COLD** or full **HOT**

## Functions

### Automatic climate control continued

When in Auto mode (SZ or DZ), the system is equipped with 3 levels of fan speeds.

**Fan LOW, Fan MID and Fan HIGH**



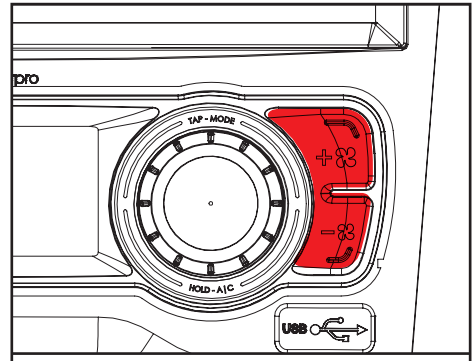
**Fan LOW**



**Fan MID**



**Fan HIGH**



To adjust the levels use **Fan Up** and **Fan Down**

### \*NOTE\*

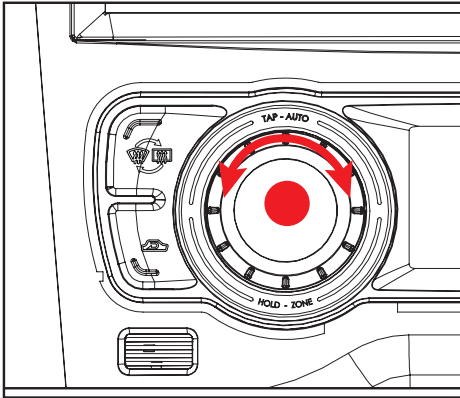
If you change the **Vents** while in **Auto Climate**, the vents will change, however the fan will remain on **AUTO** (AUTO Symbol will turn off).

If you change the **Air speed** above **FAN HIGH** or **FAN LOW** while in Auto Climate, the system will revert back to manual fan mode, however, the Vents will remain on AUTO (AUTO Symbol will turn off)

## Functions

### Dual Zone

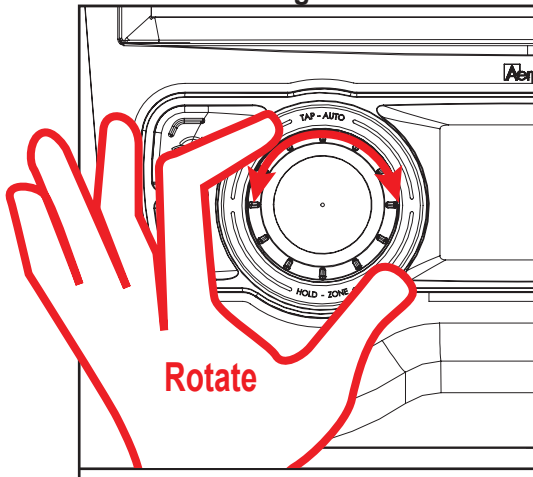
Holding or turning the **LEFT** rotary dial will activate Dual Zone. The Single Zone temperature symbol will change to the Dual Zone temperature symbols.



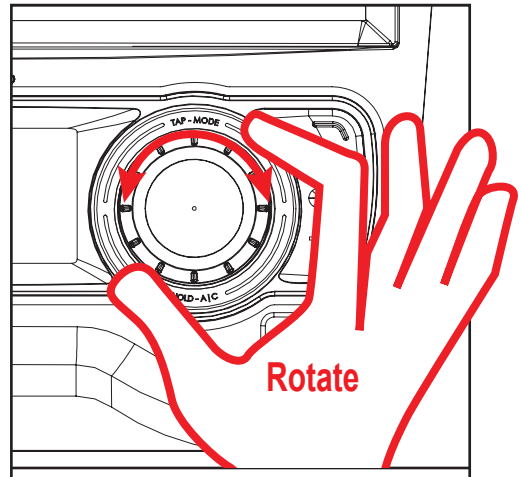
### Adjusting Temperature

To adjust the temperature of each zone, rotate the dials. Left for passenger temperature and Right for drivers side temperature

**Passenger**



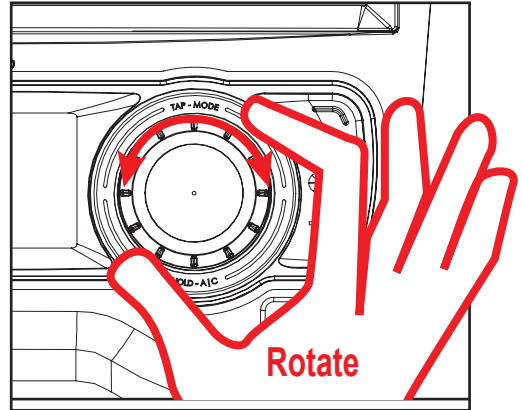
**Driver**



## Functions

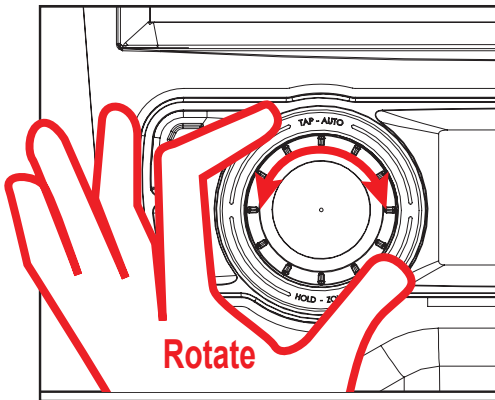
### Dual Sync

When the **Dual Zone** is first activated, the **Driver and Passenger** temps will be in sync. While they are in sync, both temps can be adjusted by the driver's dial



### Dual Zone

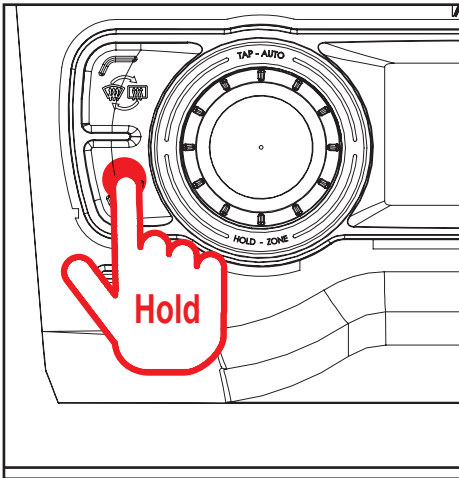
When the **LEFT** rotary dial is rotated, the passenger temp will be adjusted. Once this is done, **Dual Sync** will turn off and both temps can be adjusted independently



## Functions

### Anti-Pollution Mode

Anti-Pollution mode will automatically switch between Passthrough and Re-Circulation based on the vehicles speed. This is to avoid the vehicle drawing in unwanted fumes when travelling at low speeds



### Activating Anti-Pollution Mode

To activate Anti-Pollution Mode, set the vehicle to Passthrough. Once set, hold the passthrough button for 5seconds and wait until you hear a Chime. The screens symbol will change as shown.

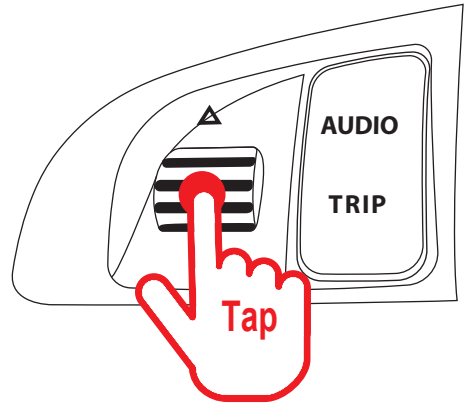
To deactivate Anti-Pollution Mode, hold the passthrough button for 5 seconds until you hear 4x Chimes, at which point the symbol will change back to normal



## Functions

### Steering Wheel Control (SWC)

The climate controls can also be controlled via the steering wheel controls. To activate the steering wheel mode tap the LEFT dial button.

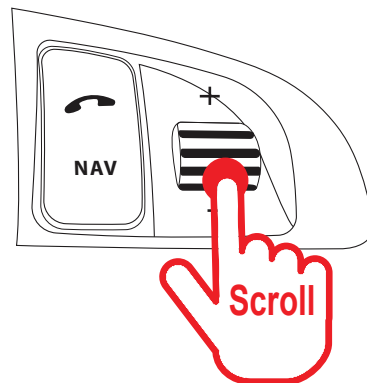
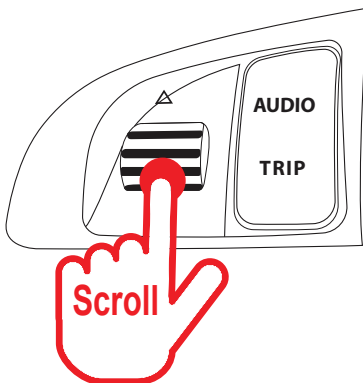


### Single Zone

When in Single Zone the Left scroll wheel controls the fan speed and the Right scroll wheel controls temperature

### Dual Zone

When in Dual Zone the Left and Right scroll wheels control the temperature settings. Left for Passenger temp and Right for Drivers temp.



After '5' seconds of inactivity. The steering wheel controls will revert back to the aftermarket stereo and functionality will continue as normal

**\*NOTE\* If no Headunit patch lead is present. The SWC will default to climate controls**

## Functions

### Left scroll wheel

Use the left scroll wheel to go up and down through audio tracks and radio stations.

### Audio button

Press to select audio source.

### Trip button

Press to access centre cluster settings.

### Phone button

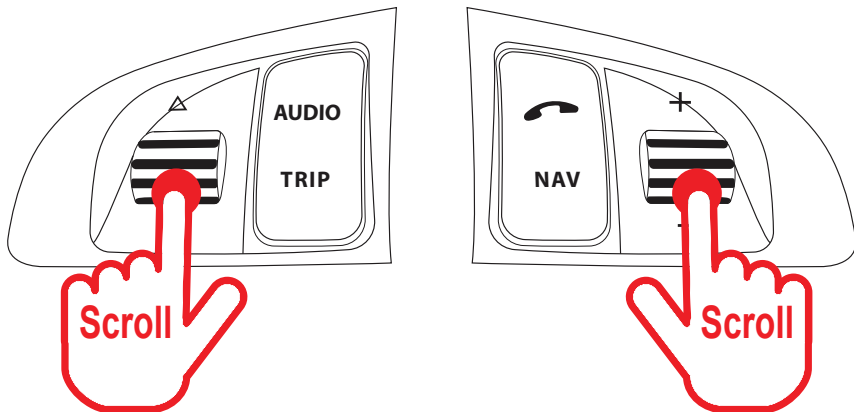
- Single press to answer a call
- During a call, single press to place the call on hold
- Long press to hang up

### Nav button

No longer supported.

### Right scroll wheel

Use the right scroll wheel to adjust the volume up and down.





## Functions

### Parking Sensors

Parking sensors are retained if your vehicle had them fitted from factory. The screen will automatically display the parking sensors when the vehicle is in **Reverse** or if the vehicle is travelling less than **15km/h**

### Front Sensors

The Front sensors are displayed at the top of the screen. There are 3 sections to indicate the Left, Middle and Right of the **Front** of the vehicle with each having 4 levels of sensor warnings displayed. This indicates how close to a collision the vehicle is



### Rear Sensors

The Rear sensors are displayed at the bottom of the screen. There are 3 sections to indicate the Left, Middle and Right of the **Rear** of vehicle with each having 4 levels of sensor warnings displayed. This indicates how close to a collision the vehicle is



### Display Example

**FRONT**



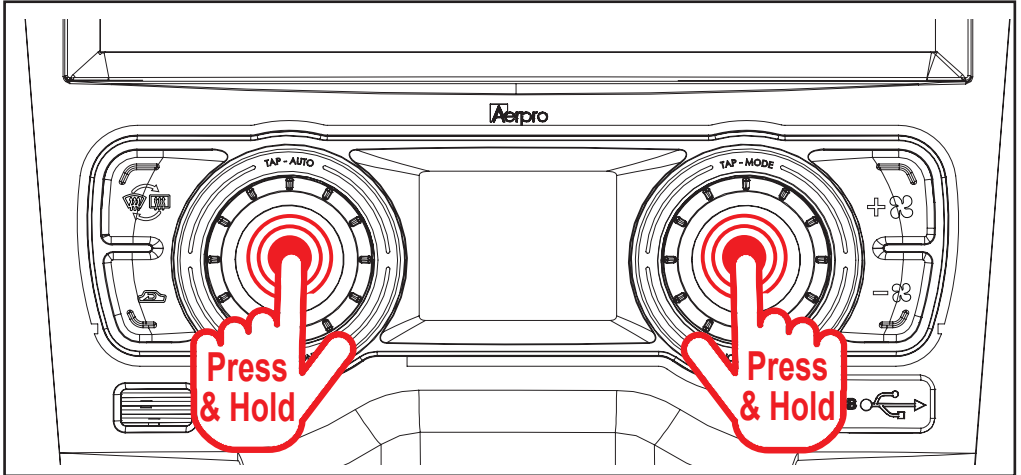
**REAR**



## Resetting the system

In the case of the system locking up or not functioning correctly, the unit can be reset to factory settings.

Press & hold both left & right rotary knobs at the same time.



# INSTALLATION



## Installation Information

# PLEASE READ BEFORE INSTALLATION

The system you are installing acts as a controller for your factory Heating/Cooling system.

To ensure correct functionality, please confirm the factory system is functioning correctly prior to installation.

This controller WILL NOT fix any prior issues with the Heating/Cooling system in the vehicle.

To confirm the factory system is operational, follow the steps below.

1. Check Fan speed control
2. Check the Vents change correctly
3. Check the system changes temperature correctly
4. Confirm Dual Zone separates temperatures correctly
5. Air conditioner
6. SWC (The steering controls must be working in the vehicle previously to work with our control harnesses. They will not fix previous underlying problems).

If the system is deemed to be operational, Please continue with your Installation

***NOTE: Remove any Cd's in the from the factory head unit before uninstalling***

## Product and Install Information

If you would like to find more information on this product or download an up to date digital copy of this manual, please visit the [aerpro.com](http://aerpro.com) website and search for your model or scan the QR code below.

FP9450GK



FP9450BK



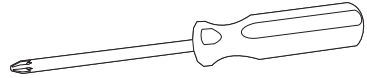
## Tools Needed

Use the following tools to make dismantling the car and the installation of the new facia easier

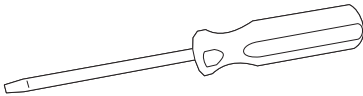
### 1. Panel Remover



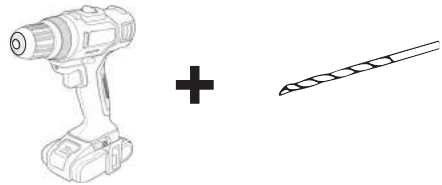
### 2. Phillips Head Screwdriver



### 3. Flat Head Screwdriver



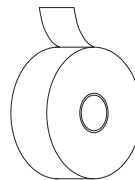
### 4. Cordless Drill with 3/8" Drill Bit



### 5. Small Pick



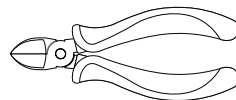
### 6. Electrical Tape



### 7. Cable Ties



### 8. Side Cutters



## Dash Disassembly

### Remove right side dash trim

Insert a panel remover and lever towards you



### Remove right side dash trim

Place trim aside safely until trim reassembly



## Dash Disassembly

### Remove left side dash trim

Insert a panel remover and lever towards yourself



### Remove left side dash trim

Place trim aside safely until trim reassembly



## Dash Disassembly

### Remove left side screw cover trim

Insert a panel remover or pick and unclip the left side screw cover



### Remove boot button trim

Insert a panel remover or pick and unclip the boot button trim





## Functions and settings

### Remove left side dash end trim

Insert a panel remover and lever outwards to remove trim. Place trim aside safely until reassembly



### Remove glovebox

Unclip the panel underneath the glovebox and place aside until reassembly



## Dash Disassembly

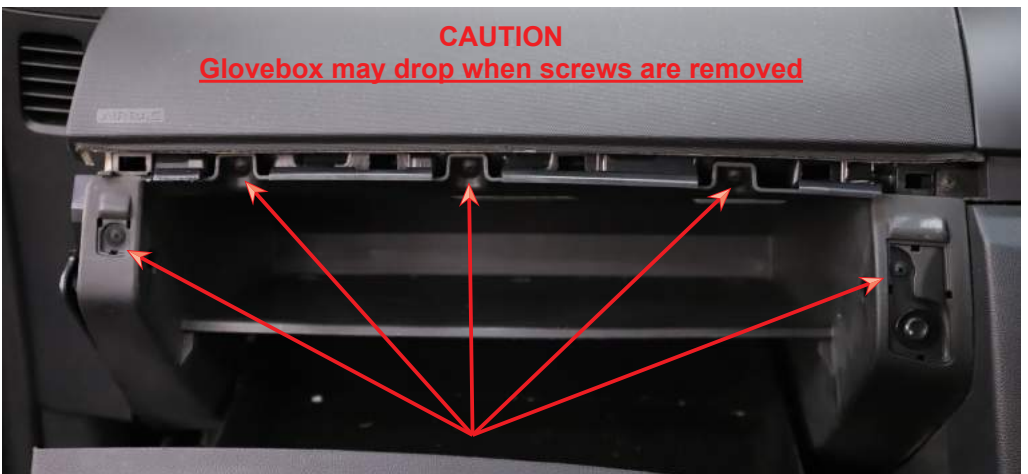
### Remove glovebox

There are 2x screws to remove at the bottom of the Glovebox as indicated



### Remove glovebox

There are 5x screws to remove from around the top of the glovebox



## Dash Disassembly

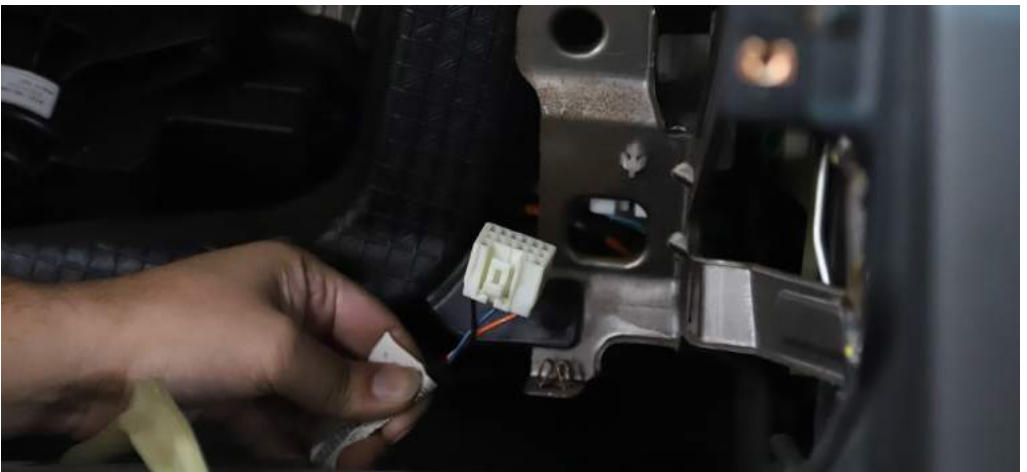
### Remove glovebox

Once the glovebox is unscrewed, disconnect the connector at the rear to completely remove the glovebox from the vehicle



### Remove glovebox

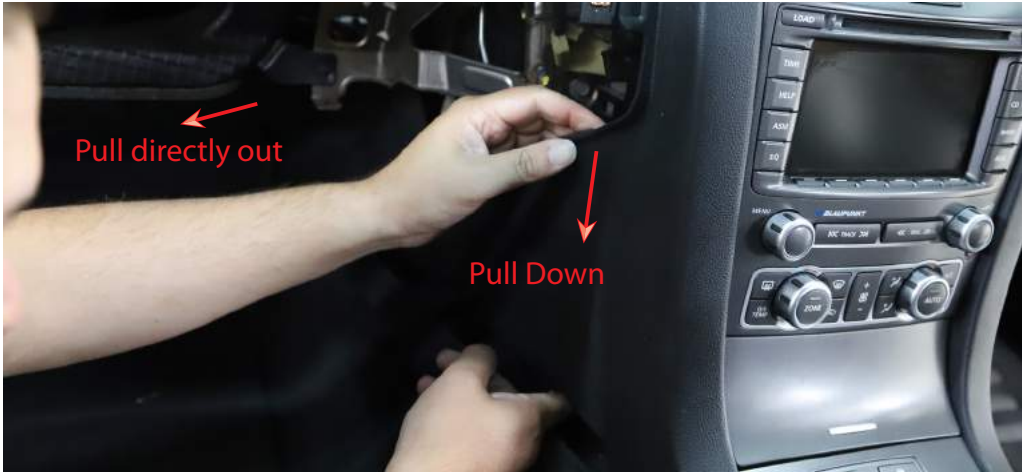
The connector sits behind a metal plate with a cutout to access the clip



## Dash Disassembly

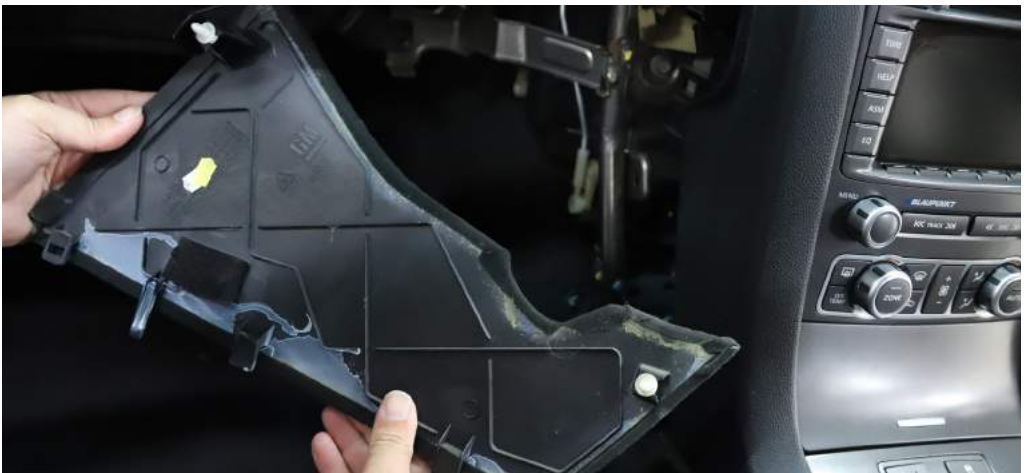
### Remove left side center console trim

The trim is held in with 2x clips. Remove the panel by unclipping as shown



### Remove left side center console trim

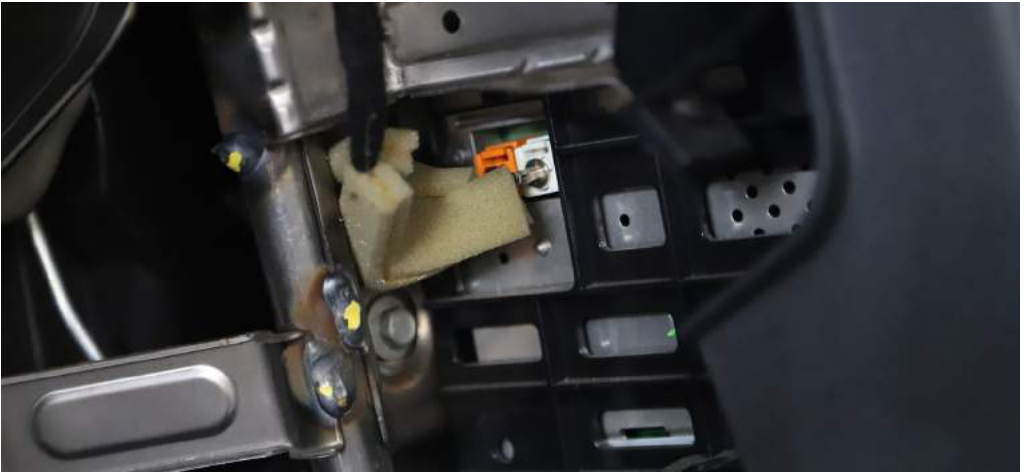
Once removed, place aside for reassembly



## Dash Disassembly

### Disconnect Antenna

Most vehicles have 1x antenna connector. This vehicle has a dual cord antenna connection as shown



### Disconnect Antenna

Press down on the top of the connector to remove from the headunit



## Dash Disassembly

### Remove right side dash end trim

Insert a panel remover and lever outwards to remove trim.



### Remove right side dash end trim

Place trim aside safely until reassembly



## Dash Disassembly

### Remove under steering wheel cover

Insert a panel remover and lever downwards to remove trim remembering to do the same thing on the left side of the steering wheel as well



### Remove under steering wheel cover

While unclipping, be sure to hold up the panel and not let it drop to protect the headlight switch connection



## Dash Disassembly

### Remove right side center console trim

The trim is held in with 2x clips. Remove the panel by unclipping as shown. Place the trim aside until reassembly



### Disconnect the factory radio connector

Now that the trims are removed, the factory stereo can be removed

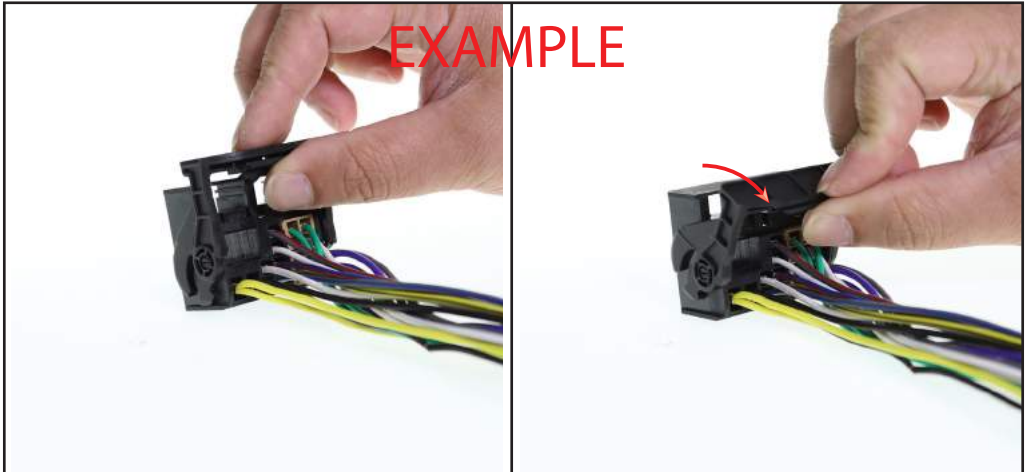




## Dash Disassembly

### Unplug the radio connector

To remove the connector, pinch the top clip and pull the handle backwards to release the connector



### Unplug the radio connector

Once all connectors have been disconnected, the radio is free to be removed



## Dash Disassembly

### Remove the factory radio face panel

The factory face panel is held on with 4x clips. Start by unclipping the bottom using your hands or panel remover, then unclip the top



### Remove the factory radio face panel

You will feel the face panel come loose when the clips have released



## Dash Disassembly

### Remove the factory radio

There are 4x screws to remove as indicated below



### Bottom compartment with closing lid

If your vehicle is fitted with a center compartment with a closing lid, you may want to replace this with the non lid version (**not supplied**) with the following steps  
**If this does not apply to you, skip to page 2-21**



## Replacing Compartment

### Bottom compartment with closing lid

Using a panel remover, unclip the trim around the gear stick



### Bottom compartment with closing lid

Place the trim aside for reassembly



## Replacing Compartment

### Bottom compartment with closing lid

Using a panel remover, unclip around the window switches



### Bottom compartment with closing lid

Continue unclipping the panel by working your way up until the panel is removed



## Replacing Compartment

### Bottom compartment with closing lid

Once the panel is able to be moved out of the way, you will have access to the bottom compartments screws



### Bottom compartment with closing lid

Remove the 2x screws holding in the bottom compartment



## Replacing Compartment

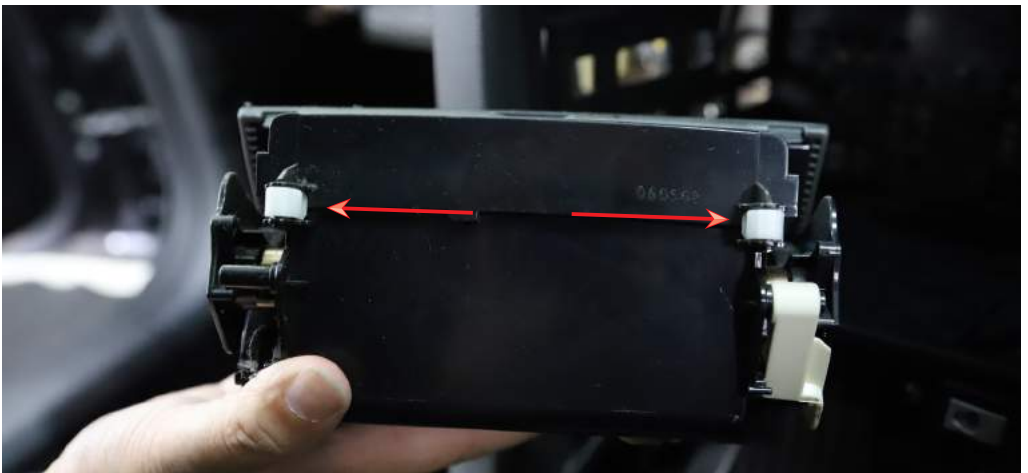
### Bottom compartment with closing lid

Once the screws are removed, the compartment is then only held in by 2x clips. Unclip the compartment and place aside



### Bottom compartment with closing lid

The clips are on the rear as shown



## Replacing Compartment

### Bottom compartment with closing lid

Clip the replacement compartment without the lid (Holden Part no. 92167863) in place (**This is not supplied with this kit**)



### Bottom compartment with closing lid

Screw it into place using the screws which were removed





## Facia Kit Installation

### Bottom compartment with closing lid

Re-Install the removed panels to complete the compartment swap



### Mounting the new facia kit (continued)

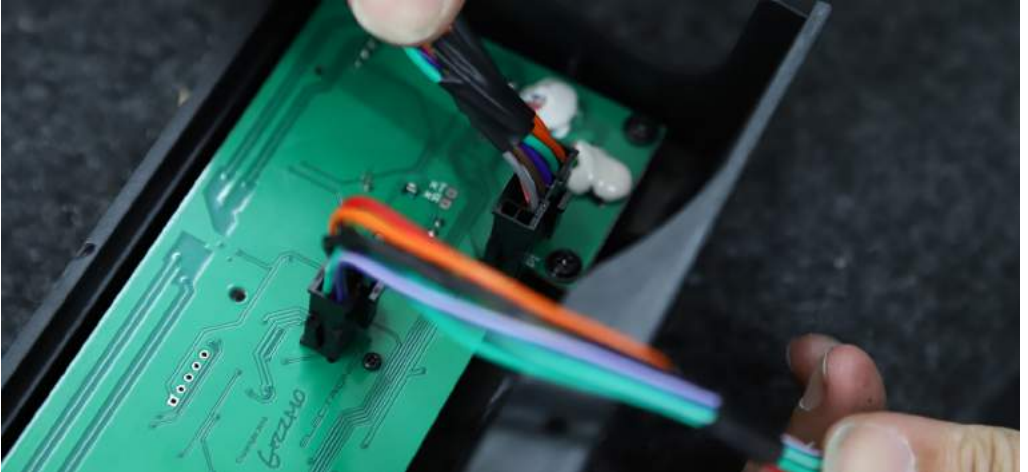
Now that the factory radio has been removed and the compartment swapped, you are free to begin installing the new radio. Remove the 2x screws shown below



## **Facia Kit Installation**

### **Mounting the new facia kit**

Before you mount the new kit into your vehicle, plug in the supplied harnesses to the rear of the facia. 1x Power harness and 1x Steering wheel control harness



### **Mounting the new facia kit**

Connect the supplied antenna adaptor to the factory antenna connector



## Facia Kit Installation

### Mounting the new facia kit

Feed all your wiring out of the front of the facia to ensure nothing is trapped behind. The large connector should go out the right side to where the factory connector is



### Mounting the new facia kit

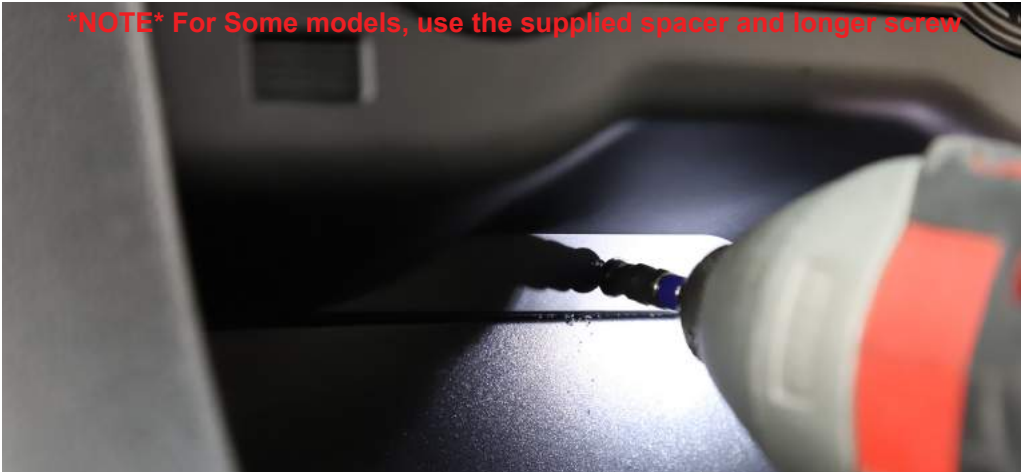
Push the kit into place and screw into place using the screws removed previously



## Facia Kit Installation

### Mounting the new facia kit

Pre drill the bottom mounting hole using a 3/8 drill bit and screw into place using the supplied screw



### Mounting the new facia kit

Now that the new kit is mounted to the car, you can install the new headunit



## Facia Kit Installation

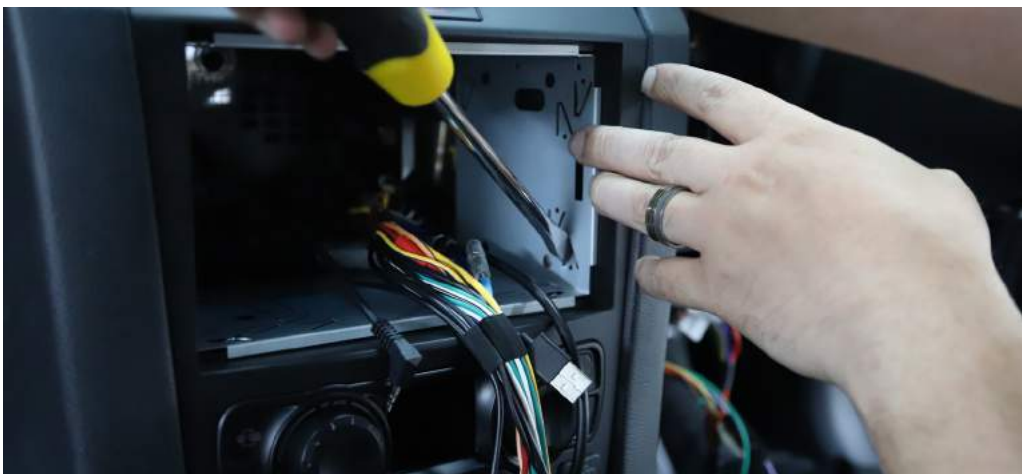
### Mounting the new facia

Slide the mounting cage into place ensuring all the cables which will plug into the new radio are fed out the front



### Mounting the new facia

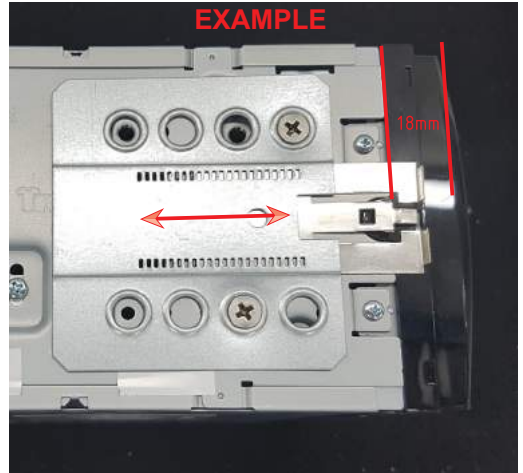
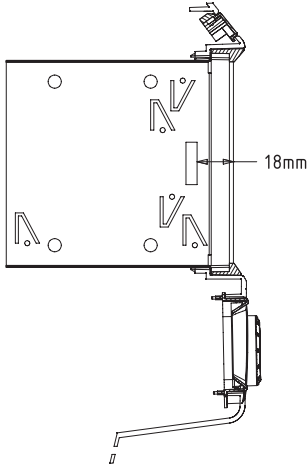
Using a large flat head screw driver, bend the triangle tabs to lock the cage in place



## Facia Kit Installation

### Mounting the new facia kit

The mounting brackets have spring locators that lock into cut outs in the cage. Knowing that the cage cut outs are 18mm back from the edge of the facia trim will help you determine where to mount the brackets



### Mounting the new facia kit

Align the bracket on the headunit and then set the depth using the slider clip depending on how you want the stereo to look in the facia



## Facia Kit Installation

### Testing the system before completing installation

Once the brackets are mounted, slide the headunit into the cage, but not the whole way



### Testing the system before completing installation

Connect the quadlock connectors together and turn the key to 'Ignition'



## Facia Kit Installation

### Completing installation

Once fully powered, check the functionality of the stereo and the facia kit



### Testing the system before completing installation

When the kit is first powered up, it is best to do a hard reset by pushing both dials in together. If all is functioning correctly, you are free to complete the installation





## Facia Kit Installation

### Completing installation

Push the headunit in until the brackets clip into place, then insert the supplied trim

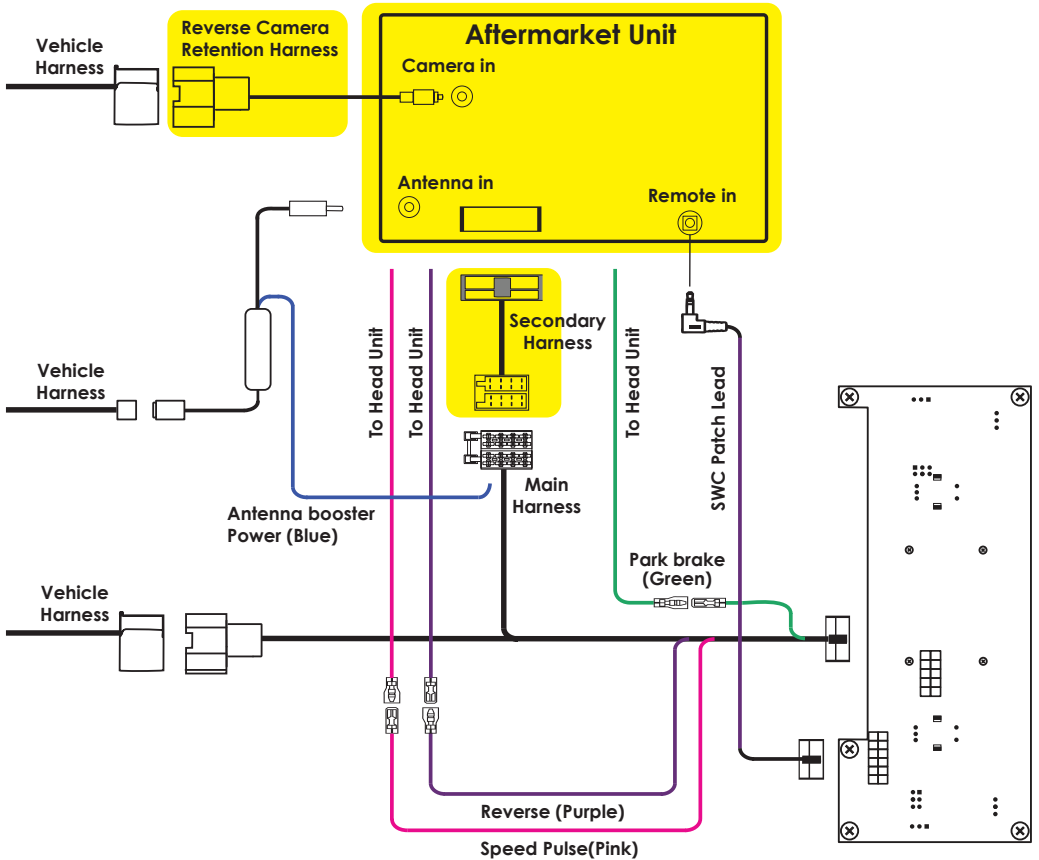


### Completing installation

Reassemble the vehicles trims in the reverse order to the disassembly to finish the installation



# Wiring Diagram

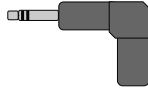


Highlighted Yellow Not Included  
(Sold Separately)

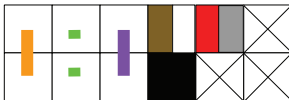
## SWC Patch Harness Configuration

For best results or to reset the control module with a new brand, please make modifications to the patch lead first, before connecting to the steering wheel control module and before powering the module up.

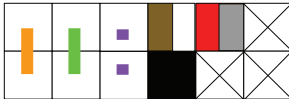
Use 3.5mm Jack for these Head units



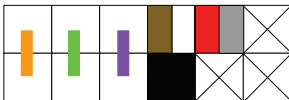
**ALPINE**  
Cut Green Link



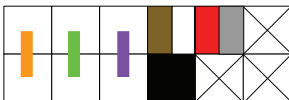
**CLARION**  
Cut Purple Link



**PIONEER**  
No cutting required



**SONY**  
No cutting required



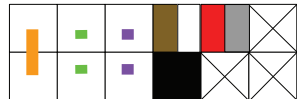
Use Key 1 Bullet terminal for these Head units



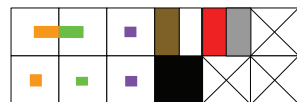
**Kenwood**  
Cut Orange & Green Wire



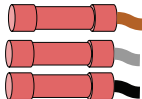
**JVC**  
Cut Green & Purple Link



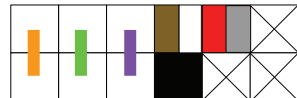
**Zenec**  
Cut all 3 wires, solder Orange and Green together as shown



Use KEY 1, KEY 2 and GND Bullet terminals for Self Learn Head units



**Self Learn**  
Head units  
No cutting required



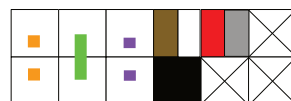
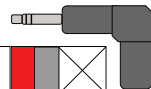
## For SONY AV Head Units With Phone Pickup

We have added an alternative patch lead configuration to allow newer Sony units to work with the phone pickup button (model dependant-not all Sony units have this feature). Previously the Sony used the Pioneer/Sony config but if this is not working then changing to this new config should allow the phone button to work.

PLEASE NOTE: Remove power from the Aerpro kit (unplug main quadlock plug) before changing patch lead configurations. This will allow the kit to reset its programming.

**Alternate Sony Programming**  
Cut Orange & Purple Wire

Use 3.5mm Jack



## Technical assistance

If you need assistance setting up or using your Aerpro product now or in the future, call Aerpro Support. Australia

TEL: 03 – 8587 8898

FAX: 03 – 8587 8866



Mon-Fri 9am – 5pm AEST

Please retain this user guide for future reference.

If you would like to download a digital copy of this manual, please visit the product page <http://aerpro.com/FP9450BK> and click on 'Manual' to download.

This manual is considered correct at time of printing but is subject to change. For latest manuals and updates refer to the website.

Copyright © 2023 by TDJ Australia

All rights reserved. No part of this publication may be reproduced, distributed, or transmitted in any form or by any means, including photocopying, recording, copying or other electronic or mechanical methods, without the prior written permission of the author.