

INSTALLATION / USER MANUAL



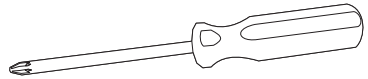
Tools Needed

Use the following tools to make dismantling the car and the installation of the new facia easier

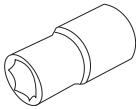
1. Panel Remover



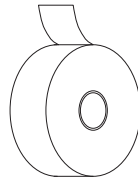
2. Phillips Head Screwdriver



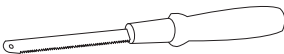
3. 7mm socket



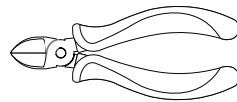
4. Electrical Tape



5. Cutting Tool (Hacksaw)



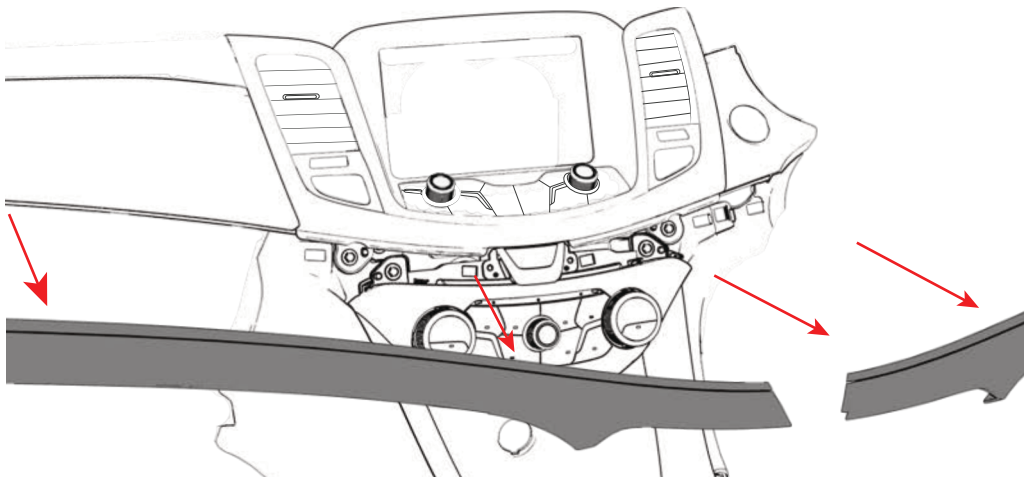
6. Side Cutters



Dash Disassembly

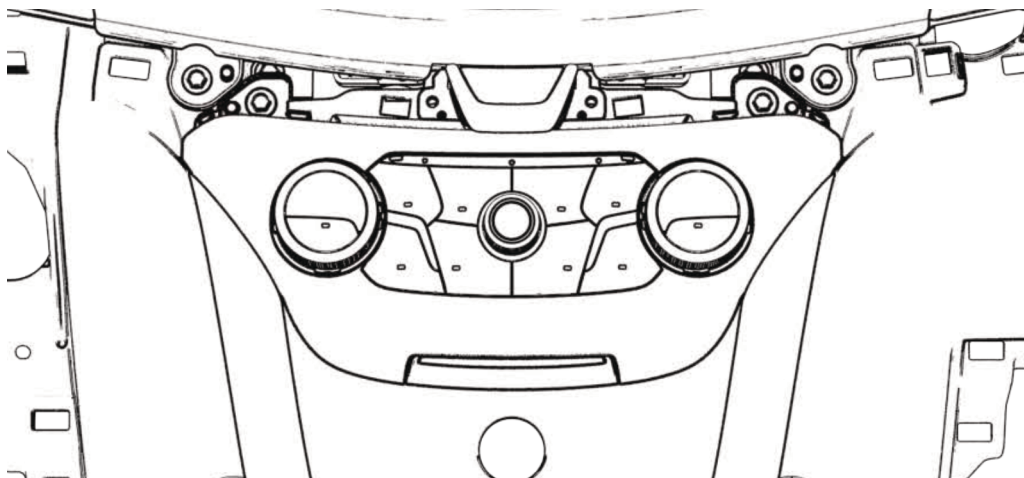
Remove Left and Right side dash trims

Insert a panel remover and lever towards you



Remove Left and Right side dash trims

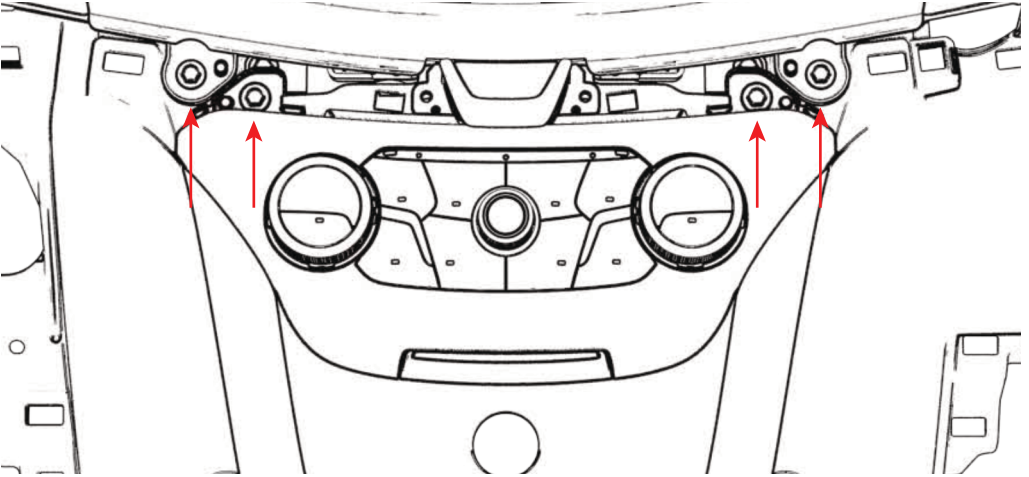
Place trim aside safely until trim reassembly



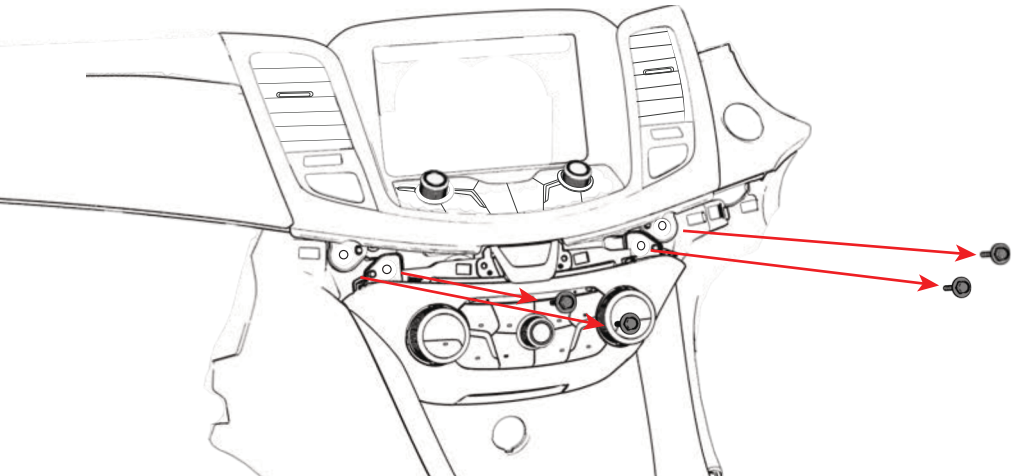
Dash Disassembly

Remove 4 x 7mm Bolts

Remove the 4 bolts holding in the Top monitor assembly and the HVAC assembly



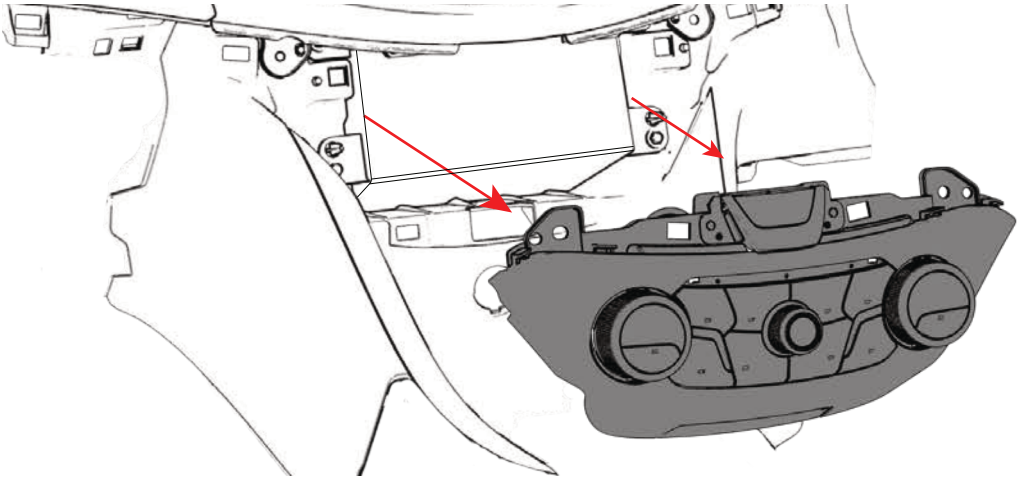
Remove 4 x 7mm Bolts



Dash Disassembly

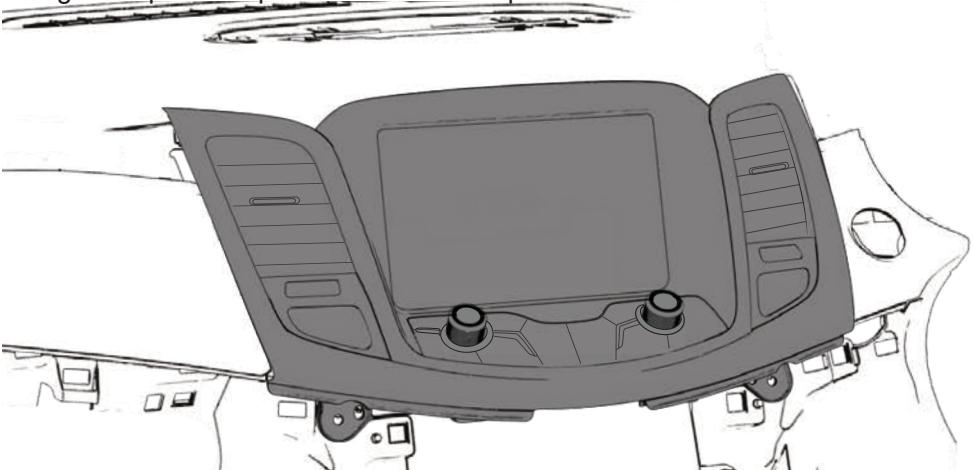
Remove HVAC controls assembly

Pull the HVAC directly out towards you until it unclips.
Place aside safely until trim reassembly



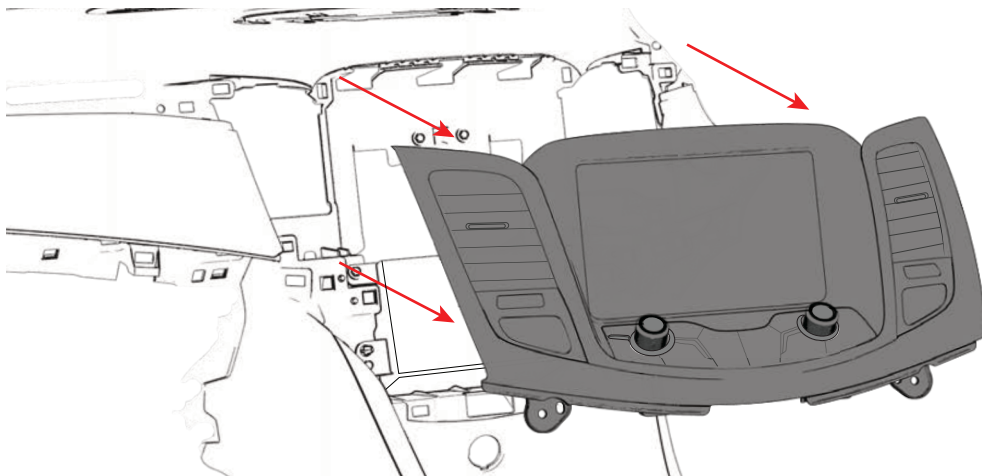
Remove Top monitor assembly

Just like the HVAC assembly, the monitor assembly is held in by clips, located along the top. Use a panel remover to help remove this trim



Dash Disassembly

Remove Top monitor assembly



Remove Radio Main Unit

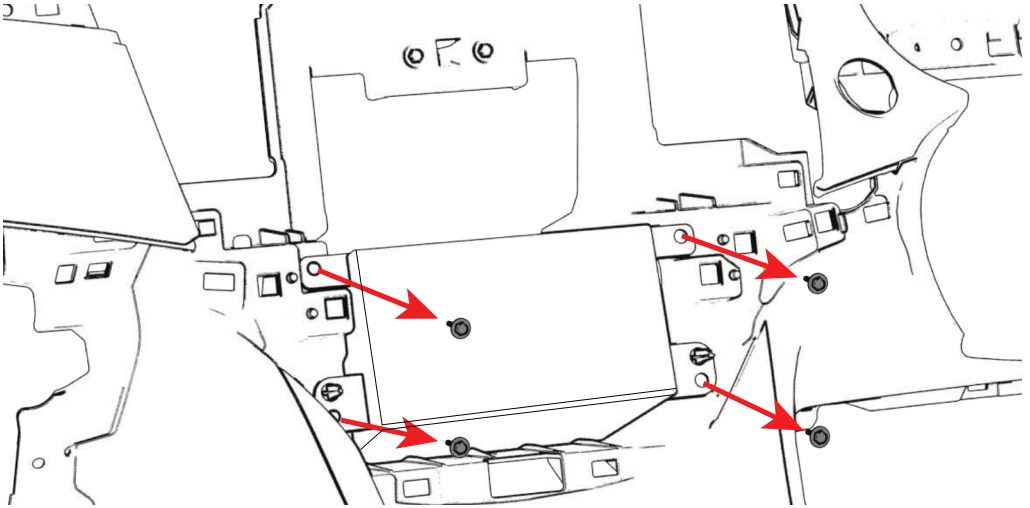
When removing the main unit it is important to note that the mounting tabs can easily scratch the 2 bottom side trims. Remove or tape these for protection



Dash Disassembly

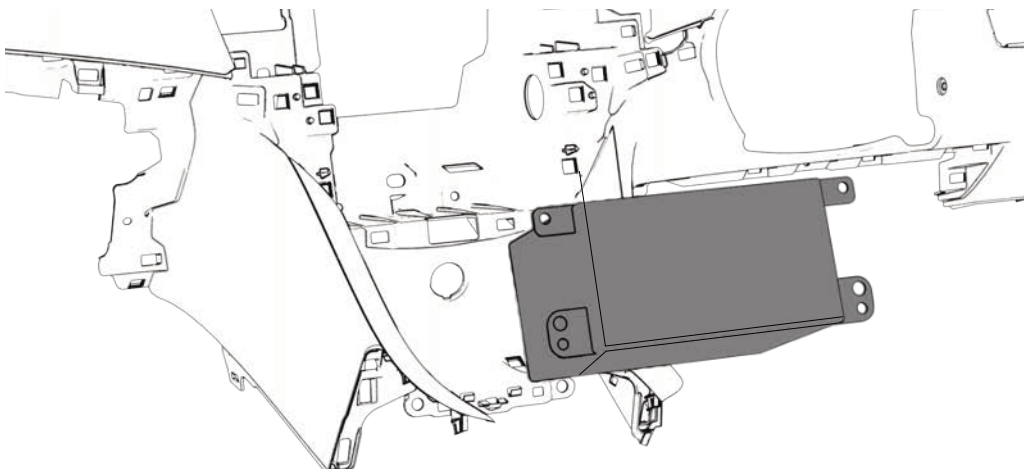
Remove Radio Main Unit

Remove the 4 x 7mm bolts holding in the Main Unit



Remove Radio Main Unit

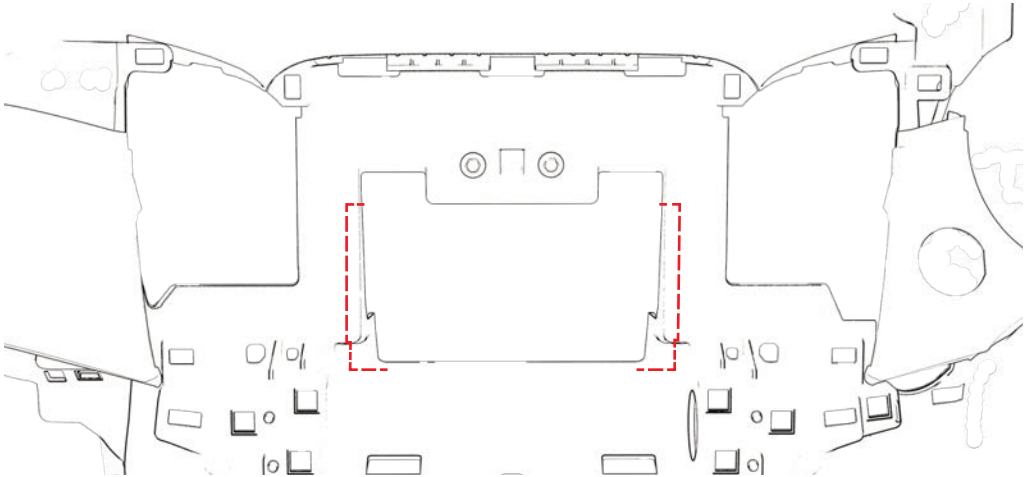
Unplug all connectors from the rear of the Main Unit and remove from car



Kit Assembly

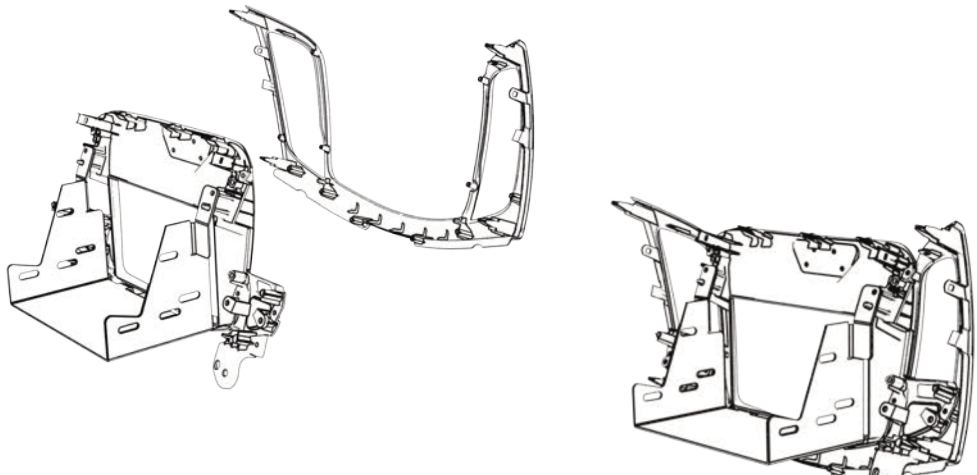
Prepare for the aftermarket stereo installation

To install an aftermarket stereo to the vehicle, some modifications need to be made to the dash cavity



Prepare for the aftermarket stereo installation

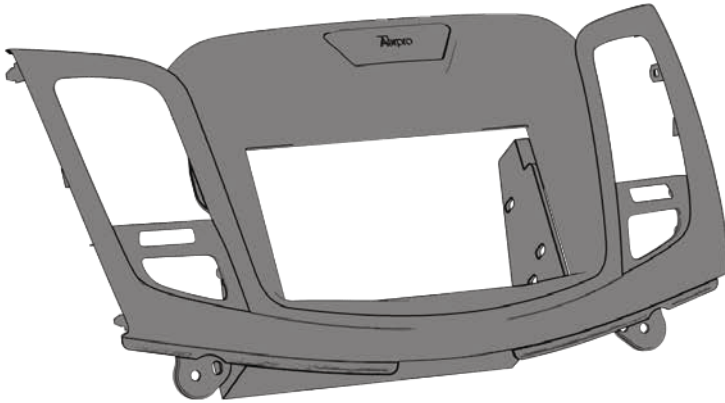
Separate the Vents and Vent trim from the Screen trim and mount them to your new FP9353 trim using the same screws. *TIP* Leave vents off until later



Dash Adjustment

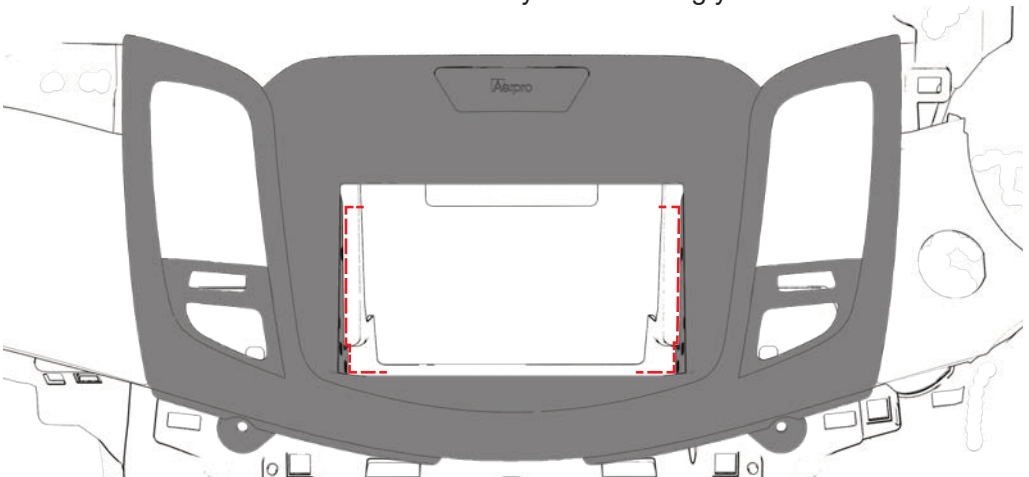
Prepare for the aftermarket stereo installation

Once the trims are mounted together, mount the assembly into the vehicle. The brackets have been designed to act as a guide for trimming the dash



Prepare for the aftermarket stereo installation

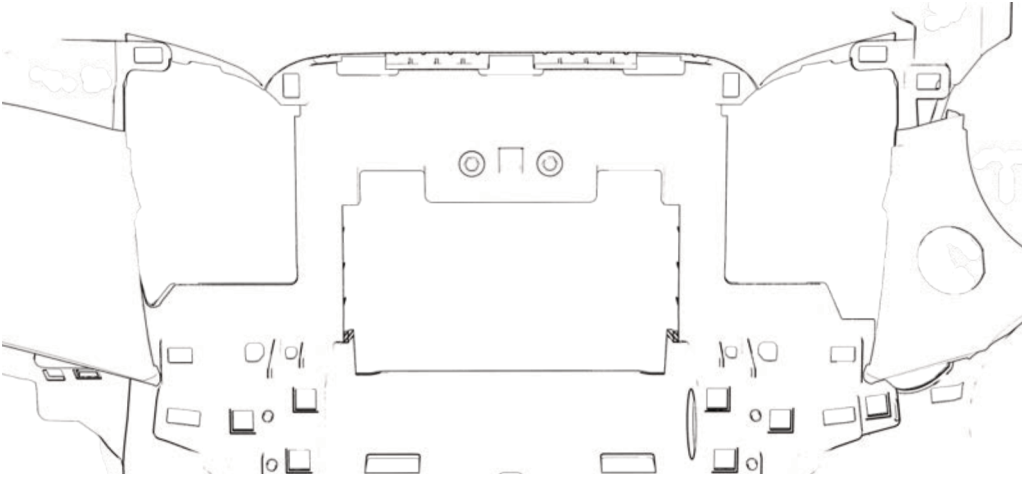
With the assembly in the vehicle, use a whiteout pen or scribe to mark along the inside of the bracket. Remove the assembly and cut along your lines



Kit Installation

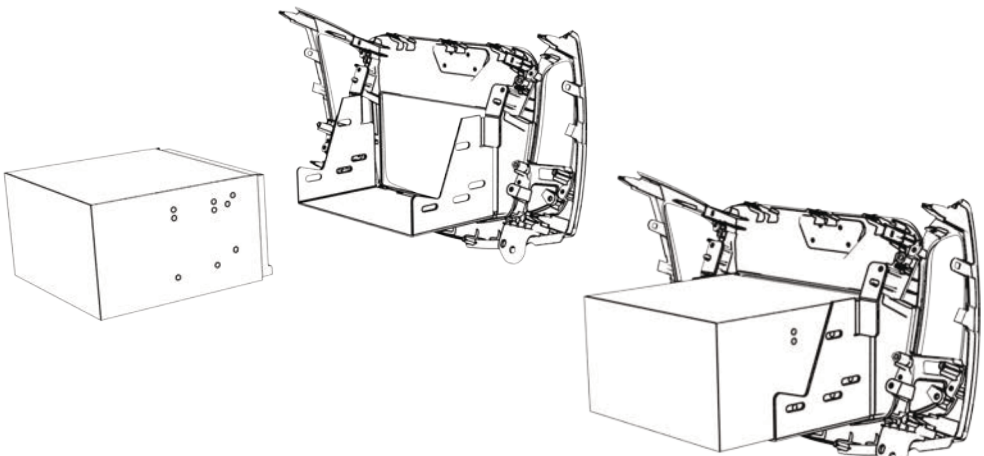
Prepare for the aftermarket stereo installation

With the dash trimmed for the aftermarket head unit, you can now assemble the kit and head unit completely



Mount the aftermarket headunit

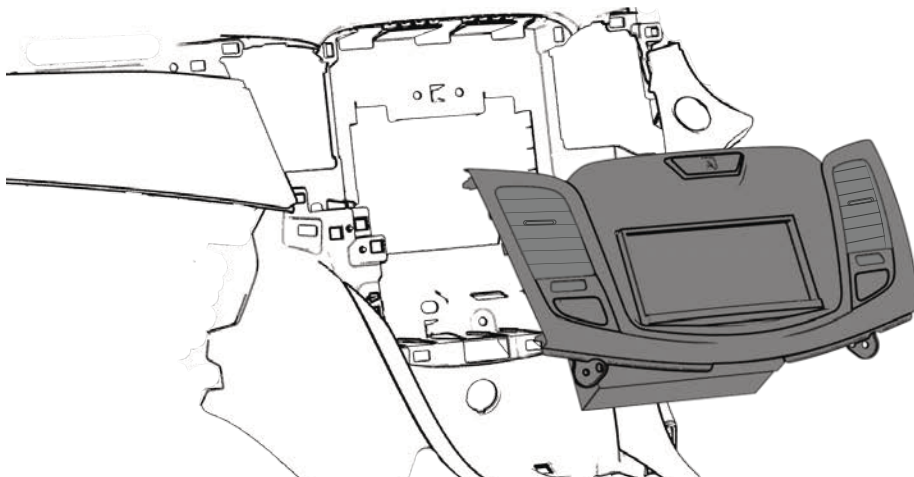
Mount the headunit to the kit as well as the vents (if you have no done so already)



Kit Installation

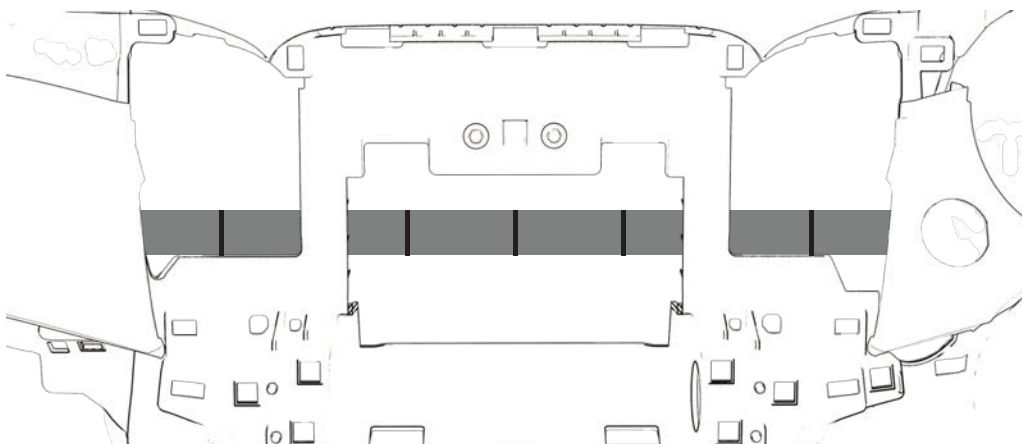
Connect harnesses

Once the kit is assembled with the new Headunit, connect all relevant harnesses to the vehicle and to headunit



Mount assembly to vehicle

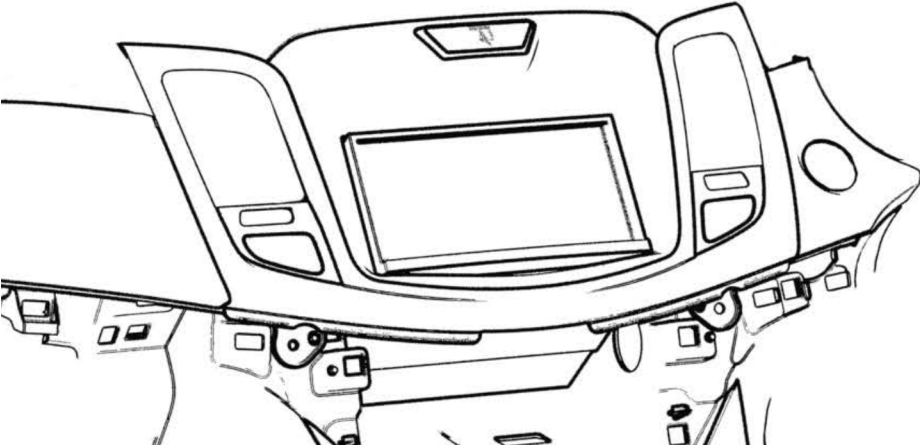
When installing the assembly into the vehicle, please be aware that you may have an issue with the vehicle loom obstructing the headunit



Kit Installation

Mount assembly to vehicle

Once the kit is mounted to the vehicle and everything is functioning as intended, begin the process of re-assembling the vehicle to finish the installation



Headunit Test

Before re-assembling the dash, turn vehicle on to ensure the headunit and infodapter are all working as intended

CAGM03 User Manual

About

The Connects2 Infodapter for the Holden Commodore VF allows vehicle information such as climate control and parking sensors to be displayed on any after-market head unit with rear camera input. Extensive vehicle settings can also be adjusted from the steering wheel controls. The Infodapter also allows the use of the steering wheel controls with almost every steering wheel control compatible head unit on the market.

DIP Switch Settings

See Fig 1.

Up = Off, Down = On

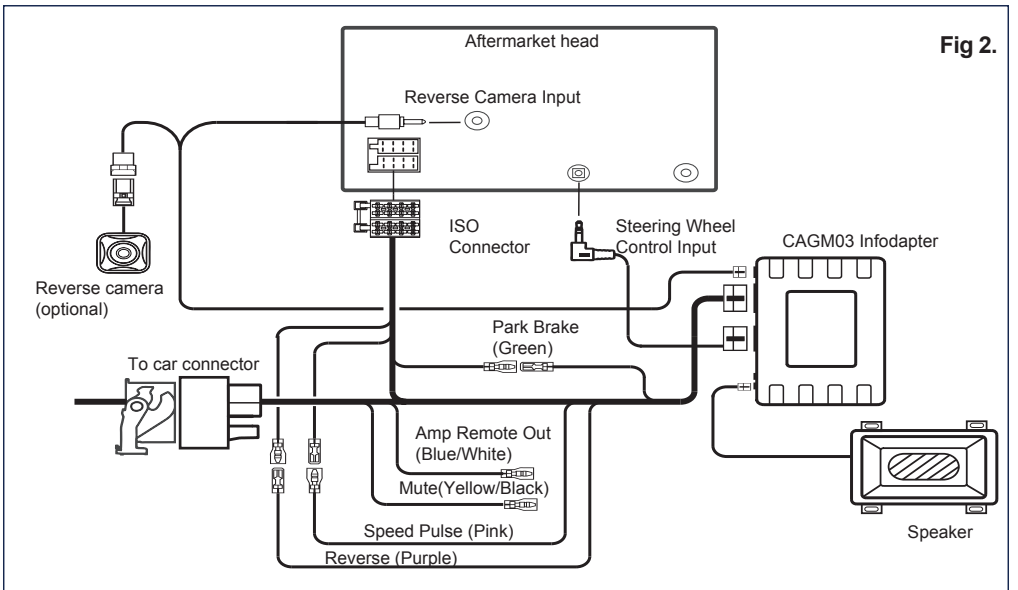
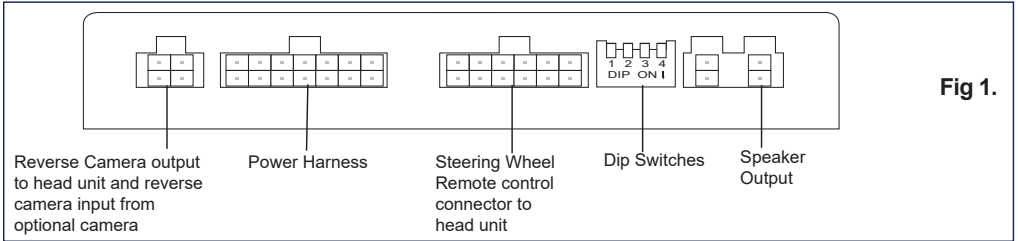
1: On = Pioneer head units. Off = All other head units

2: Setting for reverse camera. On = PAL, Off = NTSC. The default setting is Off (NTSC).

3: Resets the display settings back to default. If the display settings have been manipulated in a way that it is no longer possible to make adjustments, change the DIP switch #3 from Off to On and back. This will reset the screen settings to the factory defaults. During this procedure the screen background will change to red. While the background is red, no settings can be made.

4: Not applicable

Interface Connections



Steering Wheel Controls

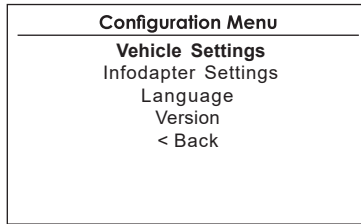
- ① Source (SRC)
- ② Track Up/Down



Fig 3.

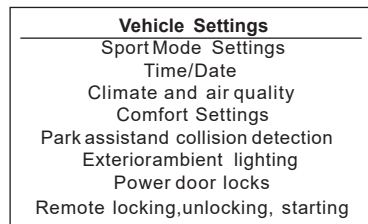
Configuration Menu

To access the menu, **push and hold the source button** for 2 seconds (Fig. 3). This will enable the configuration menu. To navigate through the menu options, use the **Track Up / Track Down buttons**. To select a menu option, **push the source**



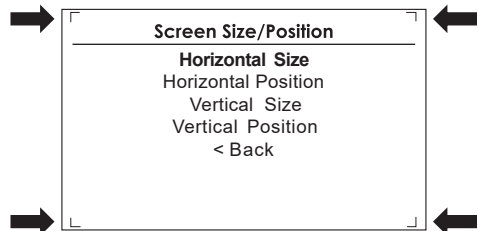
Vehicle Settings

Vehicle settings can be adjusted via the menu. All vehicle setup options that were available with the original head unit, are now available through the aftermarket head unit. See the vehicle handbook for more information regarding these features.



Infodapter Settings

Screen Size/Position -
 Make sure all 4 corner markers are touching the corners of the aftermarket head unit display.



Configuration Menu

Picture Settings -

Adjust Brightness, contrast and colour saturation.

Infodapter Settings	
Screen Size/Position	
Picture Settings	
Preferences	
<Back	

Preferences -

Driver Position - Select Left or Right depending upon vehicle configuration.

Park Assist Version - Select according to the colour configuration of the park assist fitted to the vehicle.

Camera Connected - Select Yes if an optional camera is connected.

Reverse Priority* - Select which image (Camera or Park Assist) will be shown by default when reversing. The driver can select the desired image by pushing the Source button (Fig.3) while reversing. (*Note this option is only available when Camera Connected is set to Yes)

Park Brake Source - Set to Speed, Brake or Always On.

Preferences	
Driver Position	Right
Park AssistVersion	0
Camera Connected	Yes
Reverse Priority	Park Assist
Park Brake Source	Speed
Bluetooth	On
Restore factory settings	
< Back	

Restore factory settings - Reverts all Infodapter settings to factory defaults.

(This does not restore vehicle settings)

Technical assistance

If you need assistance setting up or using your Aerpro product now or in the future, call Aerpro Support. Australia

TEL: 03 – 8587 8888



FAX: 03 – 8587 8866

Mon-Fri 9am – 5pm AEST

Please retain this user guide for future reference.

If you would like to download a digital copy of this manual, or other Aerpro manuals/software, please visit the <http://aerpro.com> website and click on 'Firmware & Manuals' for information on where to find the manuals/software.

This manual is considered correct at time of printing but is subject to change. For latest manuals and updates refer to the website.

Copyright © 2017 by TDJ Australia

All rights reserved. No part of this publication may be reproduced, distributed, or transmitted in any form or by any means, including photocopying, recording, copying or other electronic or mechanical methods, without the prior written permission of the author.

Please consult the relevant road traffic laws governing the country in which this product is being operated. No liability is accepted for material damage, loss or personal injury, directly or indirectly, from installation and operation of this product. This product should only be operated when safe to do so.