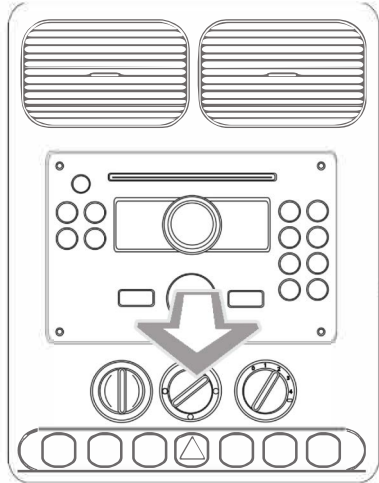


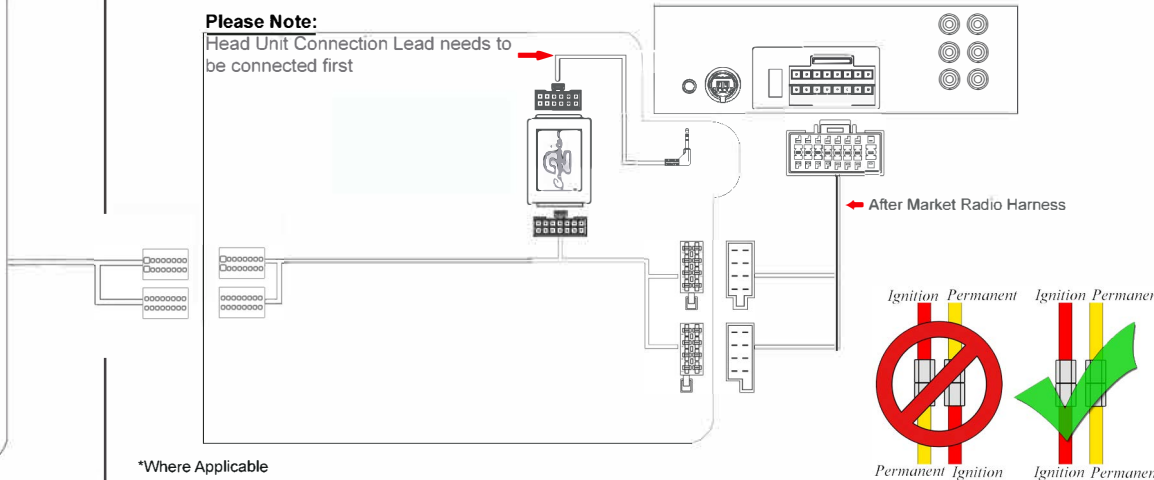
# Installation Guide

Part No: **FP9283MK**

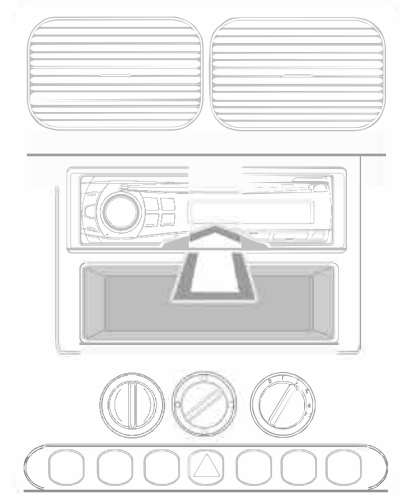


**Please Note:**

Head Unit Connection Lead needs to be connected first



\*Where Applicable



## Vehicle Compatibility:

For Vehicle Compatibility visit <https://aerpro.com/FP9283MK>

## Steering Wheel Control Functions



Seek/Track+  
Seek/Track-



Volume +  
Volume -  
Source



\* Note all dates are a guide line only as specifications of vehicles change.