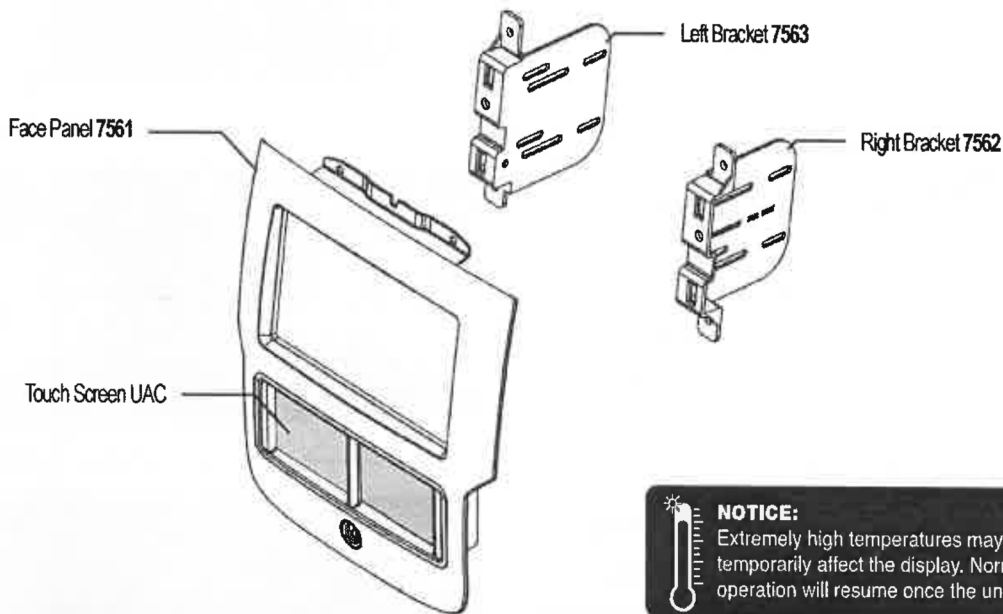


IN-DASH STEREO INSTALLATION KIT WITH TOUCH SCREEN INTERFACE FOR 2013-UP DODGE RAM TRUCKS



NOTICE:
Extremely high temperatures may temporarily affect the display. Normal operation will resume once the unit cools.

INTRODUCTION/PRELIMINARY

This premium installation for 2013-Up Dodge Ram trucks vehicles allows you to install an aftermarket ISO Double DIN stereo in the dash. Refer to the detailed steps in this manual to remove your factory radio and assemble the kit.

CAUTION:

DISCONNECT YOUR VEHICLE'S NEGATIVE BATTERY TERMINAL BEFORE THE INSTALLATION TO HELP PREVENT ELECTRICAL DAMAGE. WE RECOMMEND THE USE OF A VOLT/ OHM METER OVER A TEST LIGHT TO CHECK WIRING. A TEST LIGHT OR GROUNDED WIRE PROBE CAN CAUSE DAMAGE TO THE VEHICLE'S COMPUTER AND/OR DIAGNOSTIC SYSTEMS. AVOID ALL FACTORY AIRBAG WIRING - AIRBAGS CAN ACCIDENTALLY DEPLOY CAUSING SERIOUS INJURY OR DEATH.

NOTES

- See your vehicle's instructions for special tools your installation might require.
- Read all instructions accompanying your car stereo for proper wiring and mounting instructions.

STOP IMPORTANT NOTE: To ensure proper functionality cycle the ignition key from "OFF" to "Run" **TWO** times after first connecting the interface to your vehicle.



STOP

IMPORTANT!

DO NOT RETURN PRODUCT TO THE RETAILER

IF YOU NEED ASSISTANCE OR REPLACEMENT PARTS CALL US TOLL FREE: 1800-621-3695 X3

HOURS: MON-FRI 8AM-5:30PM (PST) SATURDAY 8AM-2PM (PST)

LIABILITY DISCLAIMER

This instruction booklet is based on carefully documented data and research of automobile disassembly, wire harness/codes and information pertaining to the installation of this kit. Scosche Industries, Inc. cannot be held responsible for discrepancies/ inconsistencies that may occur due to the automobile manufacturing changes or options, or damages that may occur in the automobile during the installation of components while using this booklet.

If you have any questions, call our toll free technical help line at:

1-800-621-3695 x3

© 2017 SCOSCHE INDUSTRIES, INC.

ITCCR04B 07/17

Step 1 RAM TRUCKS *Disassembly*

Remove mat located in cup center console (A), then remove the 7mm screw exposed (B).

NOTE: For models with center cup/storage console.

**Step 2** RAM TRUCKS *Disassembly*

Remove tray mat located above cup/storage center console (A), then remove the (2) Philip screws exposed (B).

NOTE: For models with center cup/storage console.

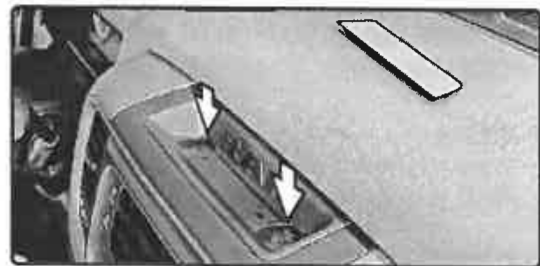
**Step 3** RAM TRUCKS *Disassembly*

Now that all screws are removed lift away the cup/storage center console and proceed to the next step.

NOTE: For models with center cup/storage console.

**Step 4** RAM TRUCKS *Disassembly*

Remove the top center tray cover, then remove (2) T-20 Torx exposed (See image at right).

**Step 5** RAM TRUCKS *Disassembly*

Remove (1) T-20 torx screw located in the pocket inbetween the passenger center vent and the 12V acc. ports, see image at right.



Step 6 RAM TRUCKS *Disassembly*

Using a panel removal tool carefully pry around the perimeter of the OEM panel. Once pryed disconnect all wiring and remove the panel from its location.

NOTE: Retain panel for kit preparation

**Step 7** RAM TRUCKS *Disassembly*

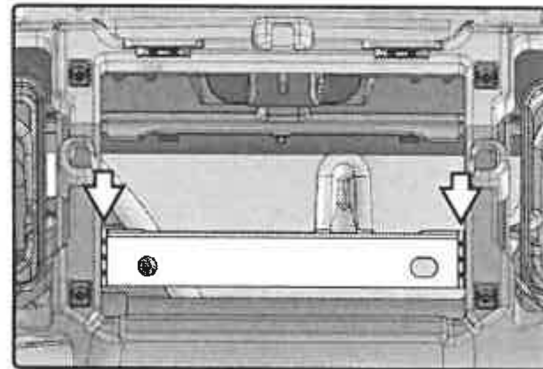
Remove (4) 7mm screws securing the radio, unplug and remove.

Note: Retain screws for installation

**Step 8** RAM TRUCKS *Dash Modification***CAUTION!**

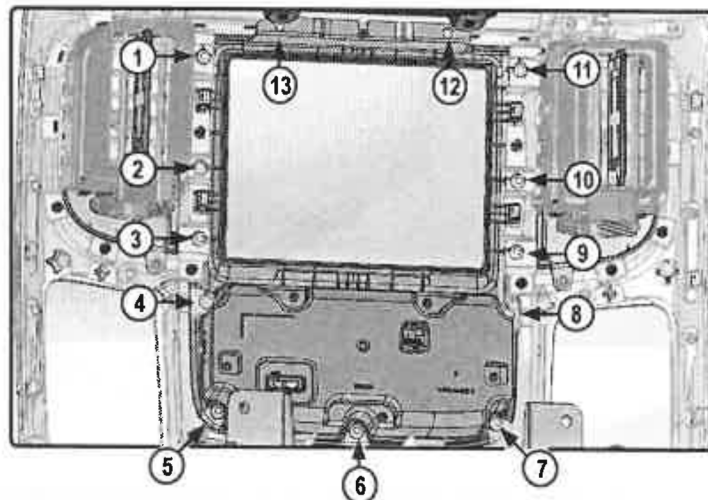
Proceed with caution, we recommend professional assistance before proceeding into dash modification.

Using a cutting tool, carefully cut and remove the bottom portion of the metal radio sub-frame. See right for details.

**Step 9** RAM TRUCKS *Disassembly*

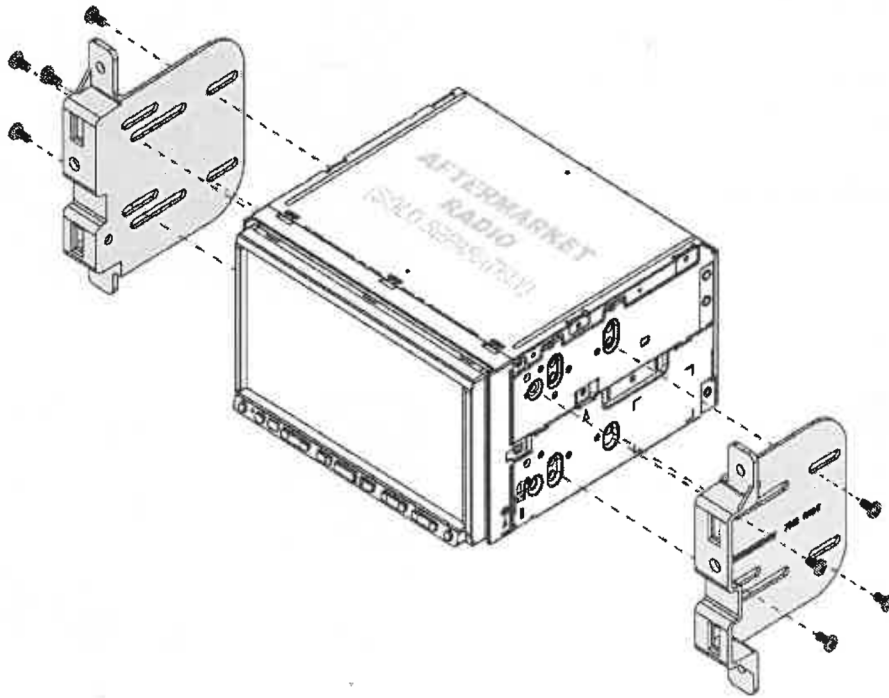
Remove (13) Phillips head screws securing the inner radio/ac panel to the outer vent panel, see image at right.

Note: Retain (13) Philips screws for later install (Kit Preparation)

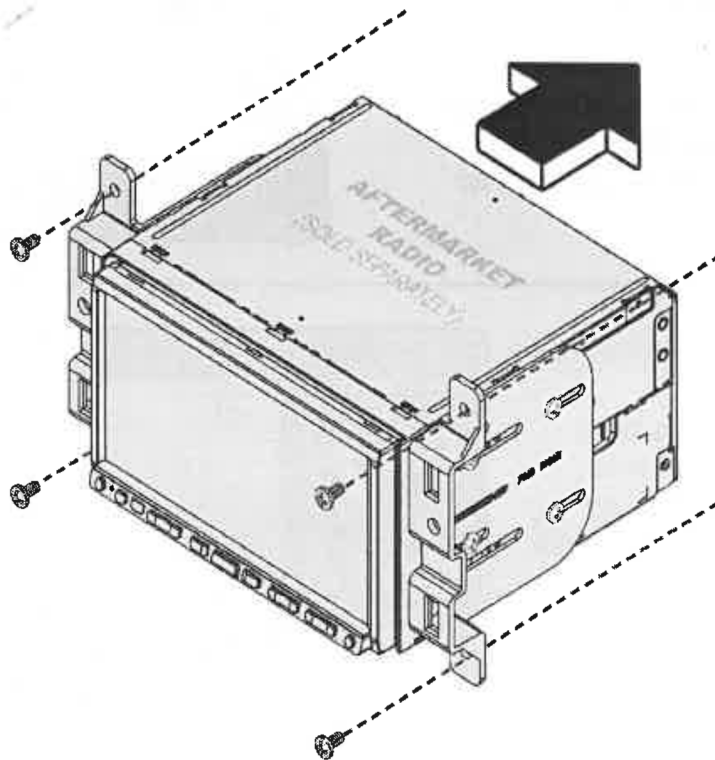


Step 10 RAM TRUCKS Preparation

Align and secure both Left and Right provided brackets using the screws supplied with your aftermarket radio.

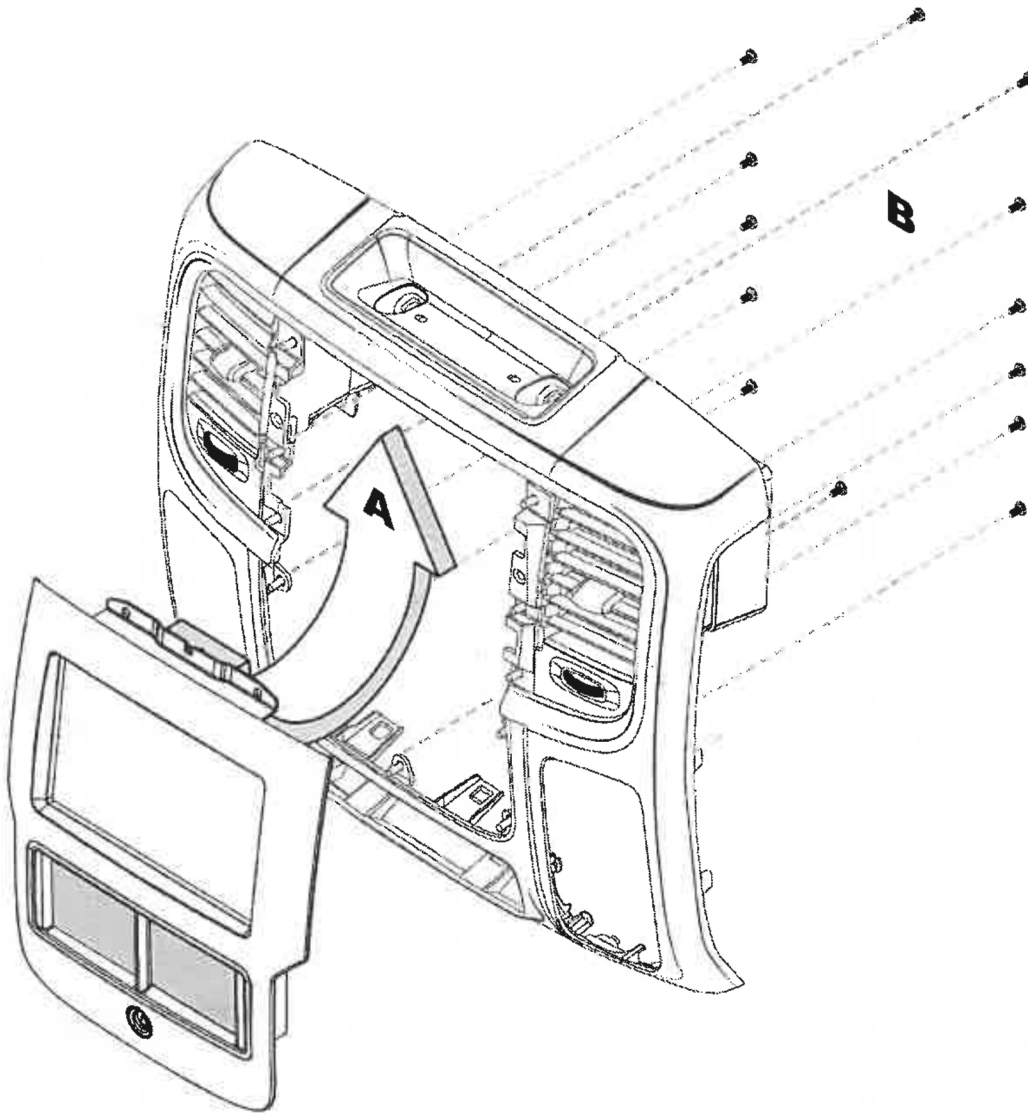
**Step 11**

Connect wiring and secure the radio assembly into the vehicle's radio dash cavity.



Step 12 RAM TRUCKS *Bracket Assembly*

Slide the top lip side of the ITCCR04B panel under the OEM dash vent panel as illustrated below (A). Secure the ITCCR04B panel using the 13 retained OEM screws from Step 9 of the disassembly.

**Step 13** RAM TRUCKS

For wiring connections refer to **Wiring Color Codes** and **Figure 1 Wiring Diagram** on page 6.

Reassemble & Connect everything with the new aftermarket panel in reverse order.

In order to complete the installation process for your new kit, you must first reassemble everything in reverse order of disassembly. Connect all wires and place the assembly kit/radio unit back into the radio cavity.

WIRING COLOR CODES

White=	Left Front Positive (LF+)
White/Black=	Left Front Negative (LF-)
Green=	Left Rear Positive (LR+)
Green/Black=	Left Rear Negative (LR-)
Black=	Chassis Ground
Yellow=	+12V Constant Power
Red=	+12V Accessory

Gray=	Right Front Positive (RF+)
Gray/Black=	Right Front Negative (RF-)
Violet=	Right Rear Positive (RR+)
Violet/Black=	Right Rear Negative (RR-)
Orange=	Illumination
Red RCA	
White RCA	

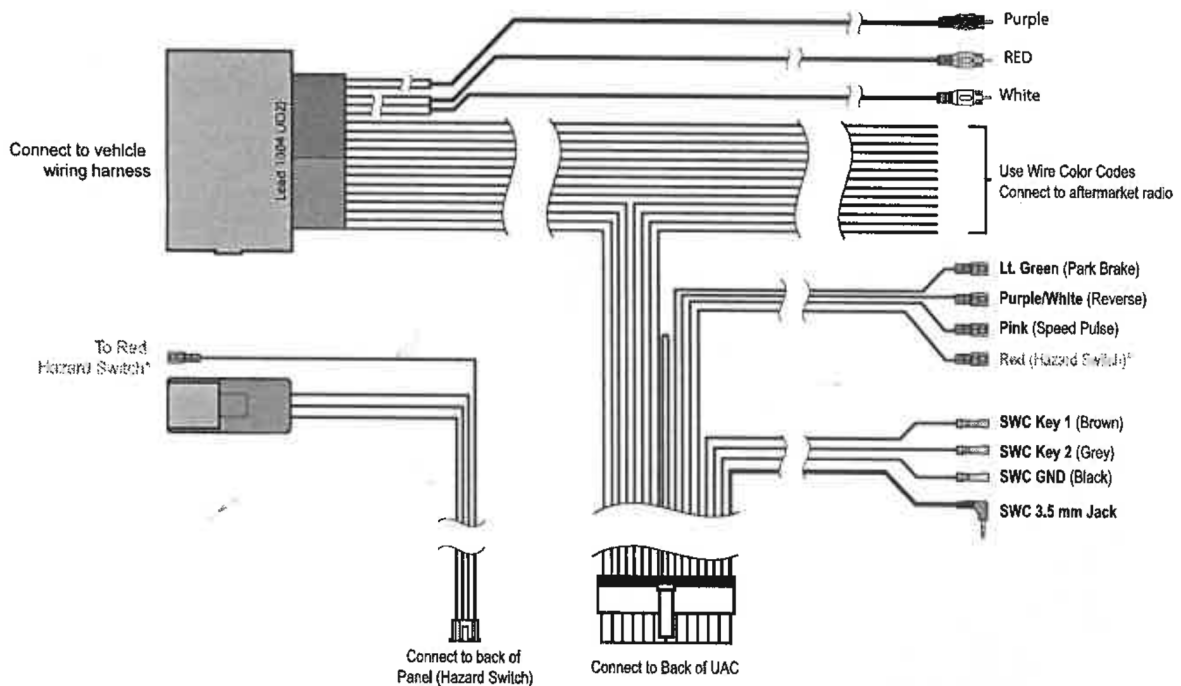
Navigation Outputs

Red=	Label Hazard Switch (PWR)
Pink=	Speed Pulse
Lt. Green=	Park Brake
Purple/White=	Reverse Trigger
Purple RCA=	Rev. Video Input

Steering Wheel Control Wiring

Brown=	SWC Key 1
Gray=	SWC Key 2
Black=	SWC Ground
3.5mm Jack=	Male SW Plug

FIGURE 1
WIRING DIAGRAM



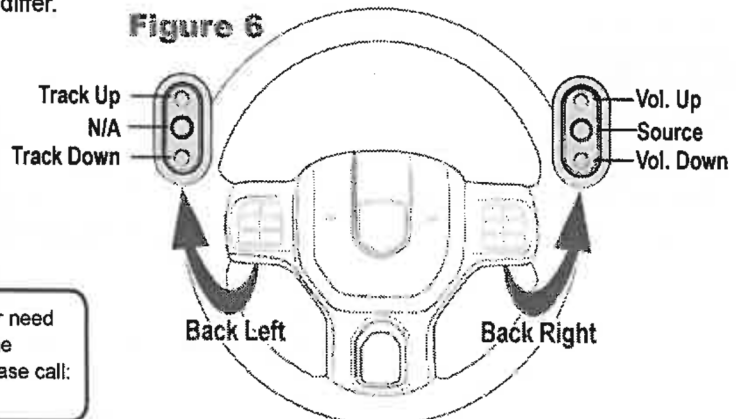
STEERING WHEEL CONTROLS

The Scosche Dodge RAM face panel is equipped with steering wheel control wires that will retain the vehicles OEM steering wheel capabilities when equipped. Refer to the HVAC wiring diagram/ wiring codes above for a connection guide. For further or more detailed understanding of the steering wheel controls. Please refer to your vehicles owner manual for an in-depth overview of your steering wheel functional capabilities.

NOTE: Please note some features may differ.

1. For Alpine, Clarion, JVC, Panasonic and Sony car stereos, connect the 3.5mm male steering plug into the steering wheel input jack at the back of the stereo.
2. For Kenwood and newer JVC stereos, connect the BROWN (SWC Key 1) wire to the "Remote in" wire at the back of the stereo

Figure 6



TECH SUPPORT ! If you have any questions or need Technical Assistance with the installation, or the most current application please call: **(800) 621-3695 Ext.3**

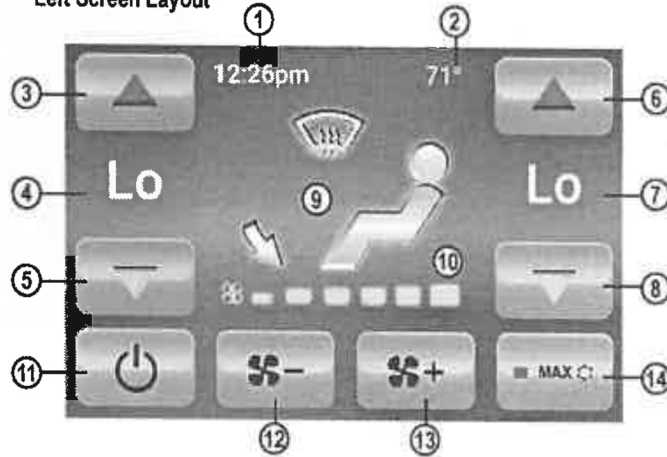
CLIMATE & CONVENIENCE CONTROLS




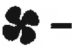


Left Screen

The Scosche Touch Screen Interface replaces the Factory climate, convenience and personalization controls built into the Factory Ford Radio/Dash panel. This solution provides improved ergonomics while adding touch screen capabilities unique to this system. Read the following sections to familiarize yourself with the operating controls and settings.

FIGURE 2
Left Screen Layout

1. Time
2. Outside temp reading
3. Driver Air Temp. Up (Warm)
4. Driver Air Temp. Reading
5. Driver Air Temp Down (Cool)
6. Pass. Air Temp. Up (Warm)
7. Pass. Air Temp. Reading
8. Pass. Air Temp. Up (Cool)
9. A/C Directional Airflow
10. Airflow Speed Indicator
11. Power ON / OFF
12. Fan Speed Down (-)
13. Fan Speed Up (+)
14. Max A/C ON/OFF



Time	Digitally displays time, enter Menu settings to configure time format (12HR/24HR). Tap the displayed time on the screen to enable date window displaying for 3sec.
°F / °C	Convenient reading of outside temperature. Enter menu settings to configure Celsius or Fahrenheit.
 	Use the UP and DOWN arrows (Fig. 2, #3,5,6, & 8) on the color TFT touch screen to adjust vehicle air temperature. Touch the Red <Up> arrow to increase air temp. Touch the Blue <Down> arrow to decrease air temp. Temperature reading will display numeric temperature selected, indicating the current temperature level. The temperature range is color-coded: Red indicates warmer air and Blue indicates cooler air. Individually adjust driver / passenger or SYNC them (See Fig 3; #1, Page 8)
	Press the Power Button (Fig.2, #11) to toggle the climate controls On or Off.
	To decrease fan speed, press the fan speed DOWN button (Fig. 2, #12). A graphic level indicator will move down on the color TFT screen indicating the current fan speed (Fig. 2, #10).
	To increase fan speed, press the fan speed UP button (Fig. 2, #13). A graphic level indicator will move up on the color TFT screen indicating the current fan speed (Fig. 2, #10). There are a total of 7 fan speed increments from off to maximum.
MAX 	MAX A/C button (Fig. 2, #14) on the color TFT touch screen to turn on Max A/C. Maximum cooling will occur with the temperature is adjusted to lowest cold setting and the Fan speed is set at maximum. MAX A/C is used to cool the car down as quickly as possible. Touch the Max A/C button again to return to the previous Fan speed and temp setting.

AIR FLOW / VENT CONTROL (Figure 2)

Touch the vent control mode icons (Fig. 2, #9) on the color TFT touch screen to select vent mode. Graphics are displayed according to the selected vent and airflow pattern. Refer to vehicles owner manual for further details.



Air is directed from the instrument panel vent outlets.




Air is directed From the floor vent outlets




Air is directed from the instrument panel outlets and the floor vent outlets.



Air is directed from floor, defrost and side window demist outlet



Indication light will illuminate on right screen (See Page 8).

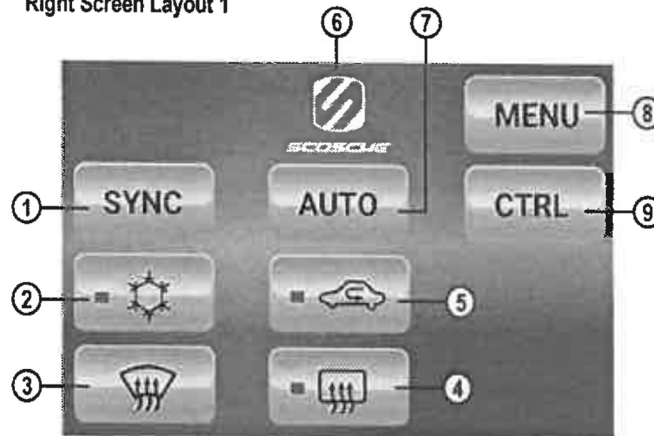


Indication light will illuminate on right screen (See Page 8).

FIGURE 3

Right Screen Layout 1

1. SYNC
2. Air Conditioning
3. Front Defrost
4. Rear Derost
5. Recirculation ON / OFF
6. Scosche Logo
7. AUTO
8. Menu
9. CTRL



SYNC	Press the Sync button (Fig.3, #1) on the touchscreen to toggle the Sync feature On/Off. Sync indicator light will illuminated when this feature is enabled. Use Sync to synchronize the passenger temperature setting with the driver temperature setting. Changing the passenger temperature setting while in Sync will disable feature this feature
	Press the Air Conditioning Button (Fig. 3, #2) to turn the Air Conditioning On or Off. A light will illuminate in the button indicating the on/off status of the A/C.
	Press the Front Defrost (Fig. 3, #3) to turn Defrost On or Off. This configuration helps clear front windshield of fog or moisture. Air will be directed to the windshield. A light will illuminate in the button indicating the on/off status of the Defrost mode. NOTE: For best results clear the windows of snow or ice before defrost settings. DO NOT OPERATE VEHICLE UNTIL WINDOWS ARE CLEAR!
	Press the Rear window derost button (Fig. 3, #4) to turn the rear window defogger on or off. A light will illuminate in the button indicating the on/off status of the Defrost mode. Rear defogger will also be turned off by turning the ignition to the OFF position.
	Press the recirculation button (Fig. 3, #5) to turn on air recirculation. A light will illuminate in the button indicating the on/off status of the Recirculate mode. Interior air will be recirculated inside the vehicle. This mode helps to quickly cool the air inside the vehicle or prevent outside air and odors from entering. Operating recirculation mode [while the A/C is off] increases humidity and may cause the windows to fog. Recirculation is not available in the Defrost or Defog modes.
	Scosche logo (Fig. 3, #6)
AUTO	Automatically controls the interior temperature of the vehicles interior by adjusting airflow distribution and amount. Performing this function will cause the system to switch between manual mode and automatic modes (Fig. 3, #7).
MENU	MENU allows the user to configure Vehicle Settings (Installer Menu) / ITC Settings / Language settings. Within menu settings the user can also refer to module version for technical reference. Please refer to Charts on page 11 & 12 for further details.
CTRL	Press the CTRL (Controls) on the right touch screen to access vehicle control (See page 9 for CTRL screen details.)

FIGURE 4

Right Screen Layout 2

1. Rear View Mirror Dimmer

CONTROLS MENU

To enter control menu touch the **CTRL** located on the right screen main layout (See page 8; fig. 3, #9).



Touch the Mirror Dimmer (Fig. 4, #1) button on the color TFT touch screen to turn on the mirror dimmer. A Button graphic will light ON/OFF status of the mirror dimmer.

FRONT

Press the Front button (Fig.4,#2) on the touch FTf right screen to return to the main menu.

MENU NAVIGATION

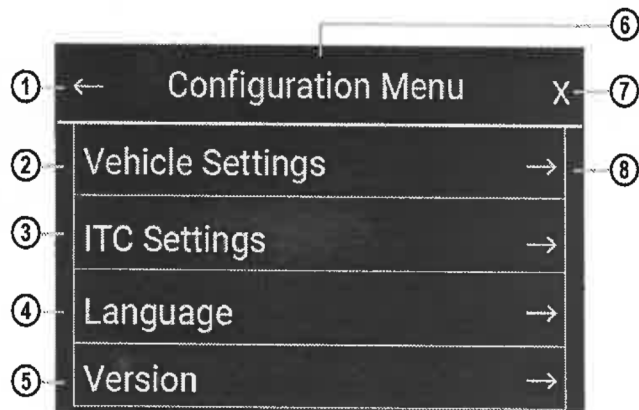
MENU Press the MENU button (Page 8 Fig.3, #8) to access **Configuration Menu Vehicle/ITC Settings/Language/Version Settings**

The following figures (5-7) are sample menu screen displays to help you navigate and understand the menu user interface of the module. Use the ← (Return arrow) to go back to the previous menu. Press the X to close the menu window and return to the TFT color touch screen home screen. For further setting options refer to the **Vehicle Settings Chart** on Pages 10 & 11, **ITC Settings Chart** on page 11 & **Language Software Setting Chart** on page 12.

Figure 5

Navigating Through Menu Settings

1. Return to Previous menu
2. Enter **Vehicle Settings** menu
3. Enter **ITC Settings** menu
4. Enter **Language** selection menu
5. Enter module **Version** menu
6. Menu title header
7. Close menu settings
8. Arrow indicates more sub-menus for selected setting



Continued on page 10 →

Figure 6
Navigating Through Sub-menu Settings

1. Return to Previous menu
2. Sub-menu configuration options
3. Sub-menu title header display
4. Close menu
5. Scrollbar [Scroll Up/Down for more options (Only when displayed)]

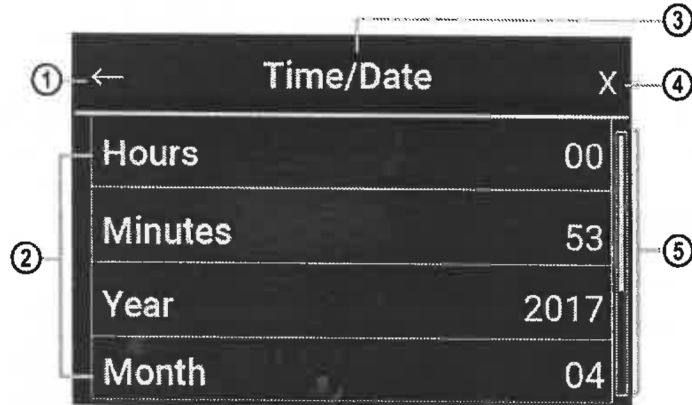
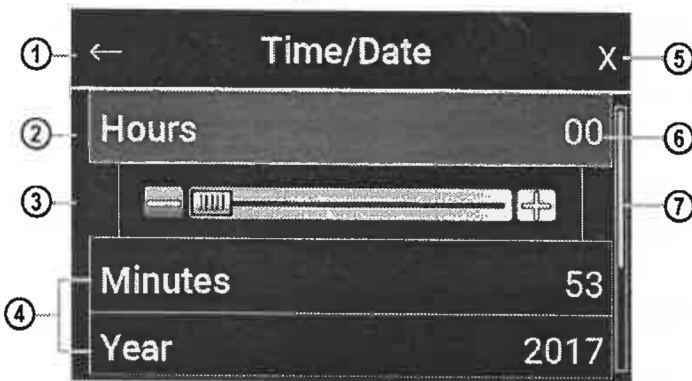


Figure 7
Navigating Through Configuration Settings

1. Return to previous menu
2. Setting highlighted when selected.
3. Setting Scrollbar (Use to customize setting) (Use to customize setting)
4. Options not selected (Press to select)
5. Close menu
6. Set setting (Use slidebar to customize setting)
7. Scrollbar (when available)



VEHICLE SETTINGS CHART

Use the configuration charts below and on pages 11 & 12 to help navigate through the different settings the "Menu" touch screen display has to offer. Read the charts below to familiarize yourself with the different setting options available with the ITCCR04B kit. For a more in-depth look into features, refer to your vehicle owner's manual.

FEATURE NAME	Option 1	Option 2	Option 3	Option 4	Option 5	Option 6	Option 7	Option 8	Option 9
Time/Date	Hours	Minutes	Year	Month	Day	Set Time Format	Set Date Format		
	00-23	00-59	2000-2099	1-12	1-31	DD.MM.YYYY MM.DD.YYYY YYYY.MM.DD	12HR 24HR		
	Note: Adjust desired setting using the slide bar's Negative - and the positive + on the touch screen								
Amplifier Settings	Volume	Balance	Fader	Bass	Mid	Treble	Souround Sound	Speed Adj. Vol.	Use Panel Speakers
	20-38	L9 to R9 Left-Right	F9 to R9 Front Rear	(-9) to (+9)	(-9) to (+9)	(-9) to (+9)			
Display	US	Metric							
Safety & Driving Assistance	Park Sense	Rear Park Sense Vol.	Parkview Camera Guidelines	Parkview Camera Delay	Hill Start Assist				
	Sound & Display /	Low				ON / OFF	ON / OFF	ON / OFF	
	Sound	Medium High							

Continued on page 11

VEHICLE SETTINGS CHART

Cont'd

Page 10 Continued

Auto-On Comfort	Driver Heated Seats								
	Off	All Starts	Remote Start						
Engine Off Options	Engine Off Pwr. Delay	Headlight Off Delay							
	Off, 45Sec, 5Min, 10Min	Off, 30Sec, 60Sec, 90Sec							
Lights	Headlight Off Delay	Headlight Illum. on Approach	Headlights w/ wipers	Flash Lights w/ Lock					
	Off, 30Sec, 60Sec, 90Sec	Off, 30Sec, 60Sec, 90Sec	ON / OFF	ON / OFF					
Door & Locks	Auto Door Locks	Auto Unlock On Exit	Flash Lights With Lock	Sound Horn With Lock	1st of Key Fob Unlocks	Sound Horn With Remote Start	Sound Horn w/ Remote Start		
	ON / OFF	ON / OFF	ON / OFF	OFF	All Doors	ON / OFF	On / Off		
				1st Press				Driver's Door	
				2nd Press					
Suspension	Display Suspension Messages	Tire Jack Mode	Transport Mode	Wheel Alignment Mode					
	All Warning	ON / OFF	ON / OFF	ON / OFF					
Trailer Brake	Trailer 1	Trailer 2	Trailer 3	Trailer 4					

ITC SETTING CHART

FEATURE NAME	Option 1	Option 2	Option 3	Option 4	Option 5	Option 6	Option 7	Option 8
Picture Settings	Brightness (DAY)	Brightness (Night)	Automatic					
	0%-100% Auto	0%-100% Auto	DAY / NIGHT / AUTOMATIC					
	0% to 100% & Automatic Use the negative and positive buttons on the touch screen to select desired brightness percentage.							
Preferences	Volume	Prk. Brake Source	Return to Factory Settings					
	0%-100%	Brake, Always On, Speed	Yes / No					
Radio Type	Alpine	Chinese	Clarion	JVC	Kenwood	Phillips	Pioneer	Sony

