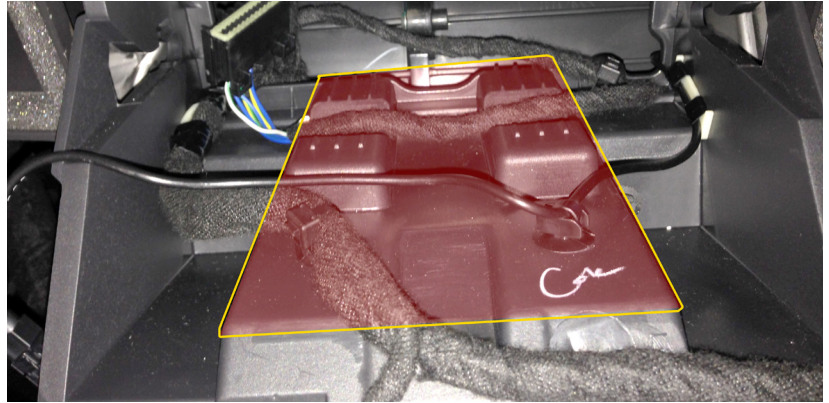


Note: Please be aware that the OEM stereo cannot be reinstalled after these modifications have been made

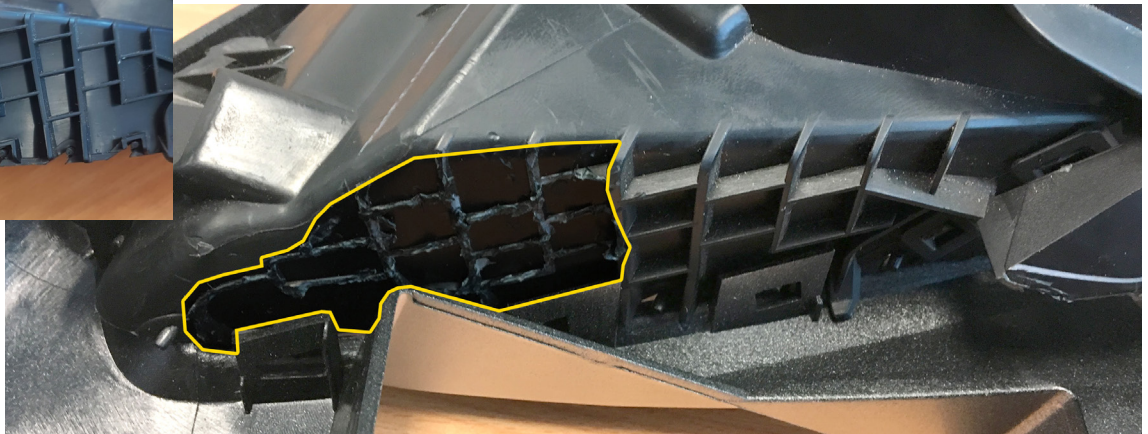
MODIFICATION 1

In order to install a double DIN stereo in the vehicle, adequate space must be made by cutting the sub-dash.

Remove the shaded area of the sub-dash using appropriate tools.



Pre-Mod



MODIFICATION 2

Both right and left-hand vents must be modified before they are reinstalled into the new fascia panel.

Remove the raised plastic area at the location highlighted in Fig. 2, followed by the screw clip circled in Fig. 3.

Note: Ensure that both vents have been modified in this way before reassembly



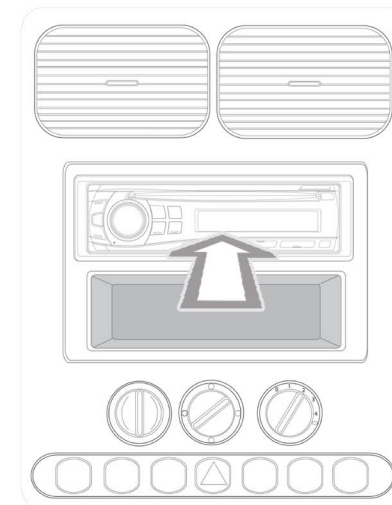
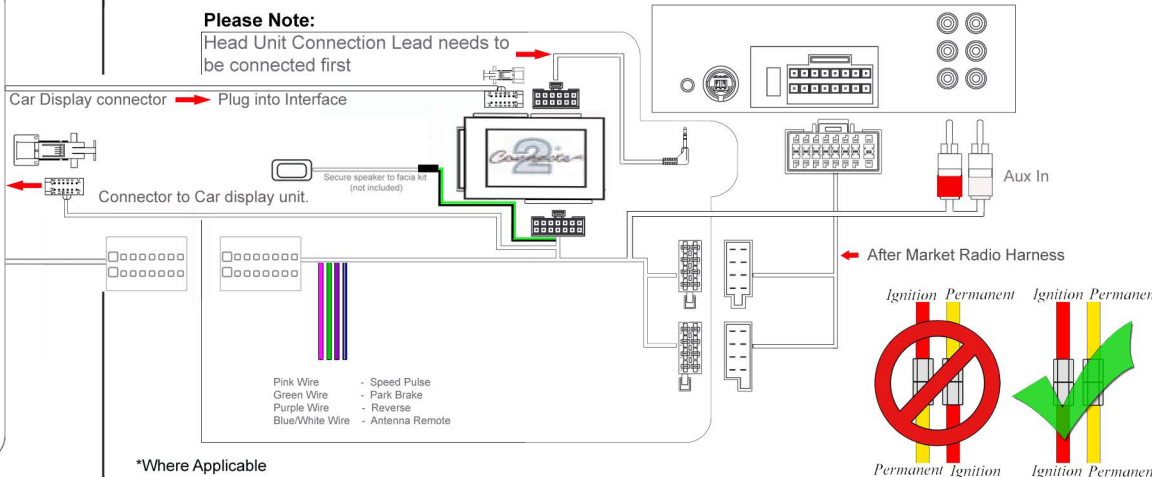
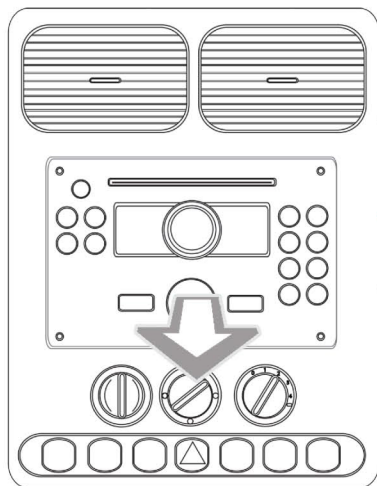
Pre-Mod



Installation Guide

Part No: CTSFO008.2

Ford Can-Bus Steering Wheel Control Interface



Vehicle Compatibility:

- B-Max 2013>
- C-Max 2011>
- Ecosport 2013>
- Escape 2013>
- Fiesta 2012>
- Focus 2011>
- Kuga 2012>
- Ranger 2012>
- Transit Custom 2013>

Steering Wheel Control Functions



* Note All Dates are guide lines only as specifications of vehicles change

Installation Guide

Part No: CTSFO008.2

Ford Can-Bus Steering Wheel Control Interface

User guide to change the time and date



- 1 - Speech Button
- 2 - Select Right
- 3 - Select up
- 4 - Select left
- 5 - Select down

Single Press (**Button 1**) switches display on .
Press & Hold **Speech Button (button 1)** for 2 seconds this will enable menu mode option.

Press (**Buttons 3/5**) Up/down till clock setting is selected.
Then press (**Button 1**) to confirm.

To Adjust the clock use (**Buttons 3/5**),select the next option use (**Buttons 2/4**).and then press (**Button 1**) to confirm.

Press (**Buttons 3/5**) Up/down till set date is selected
Then press (**Button 1**), to confirm.

To adjust the date use (**Buttons 3/5**) And to select the next option use (**Buttons 2/4**) .press (**Button 1**) to confirm.

When the time and date has been set,
Press the **speech button(Button 1)** once to confirm.

The menu option will time out after 15-20 seconds.

