

**Aerpro**<sup>®</sup>  
First Choice

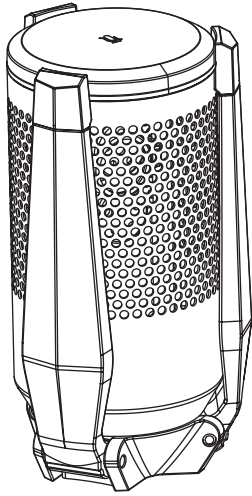


# APMIC2

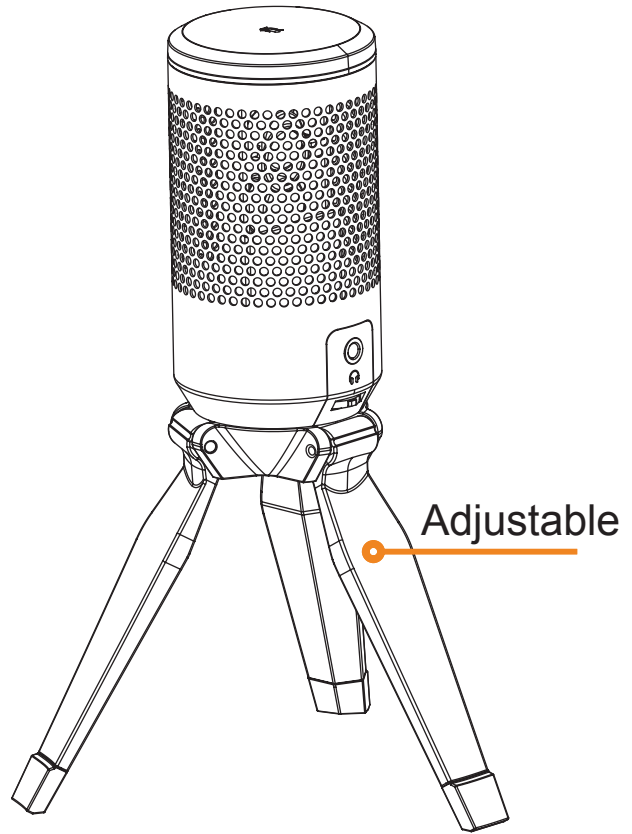
ULTRA COMPACT FOLDABLE MICROPHONE

**USER MANUAL**

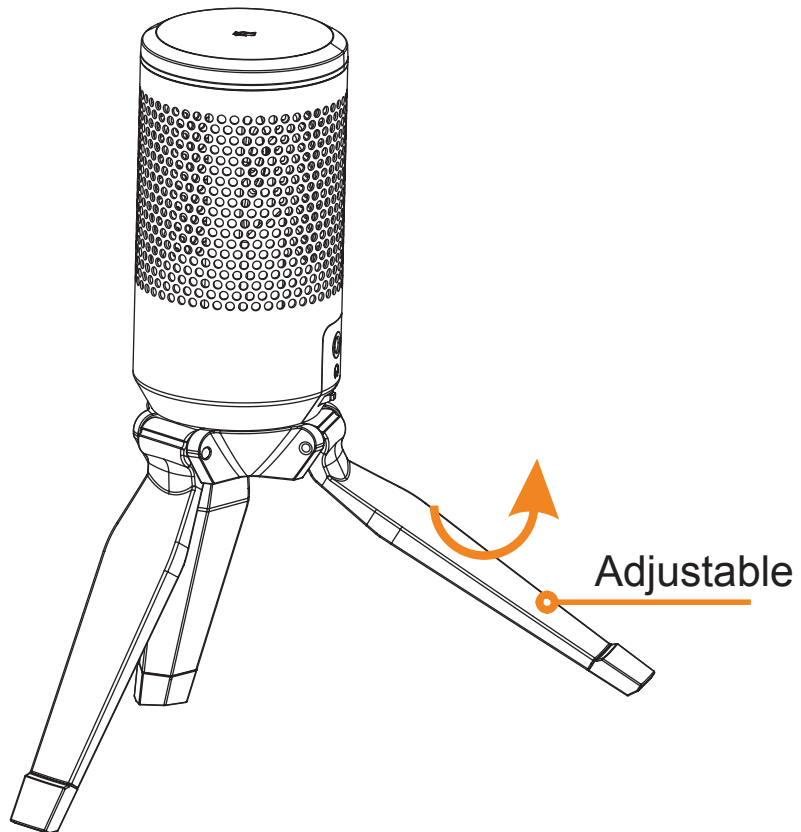
# Introduction



**Fold**



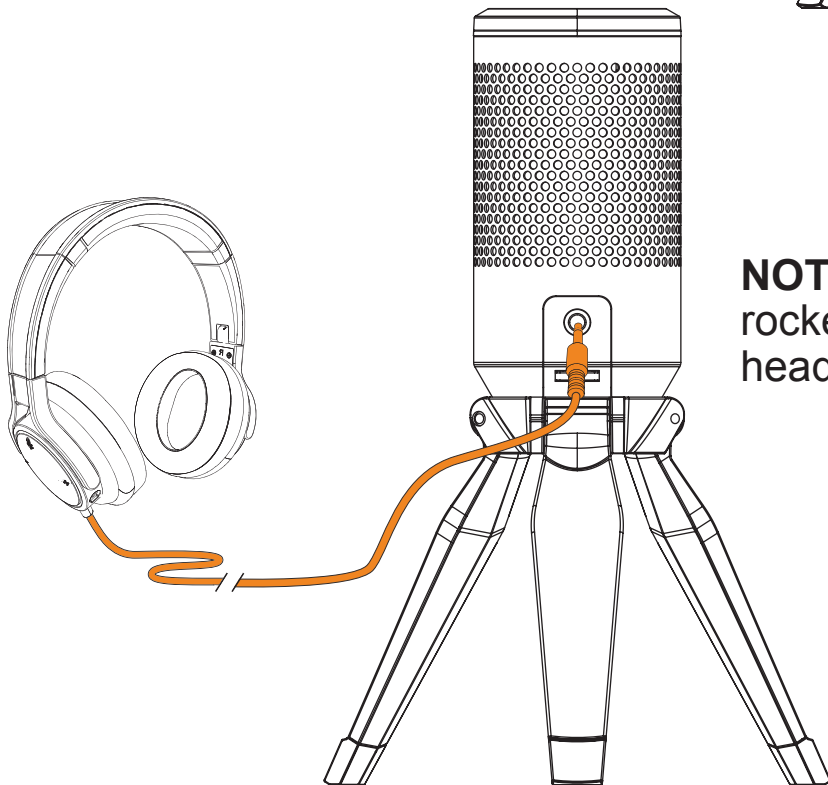
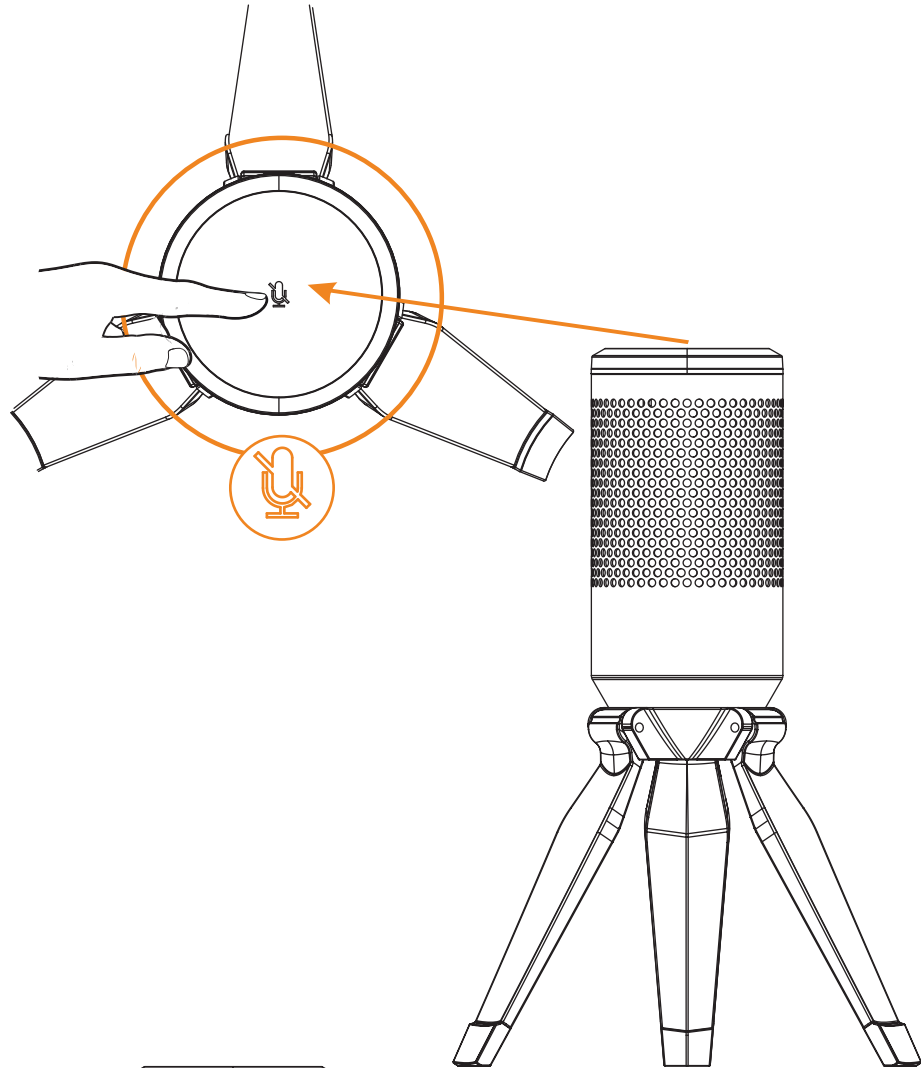
**Position 1**



**Position 2**

## Muting & Headphone Connection

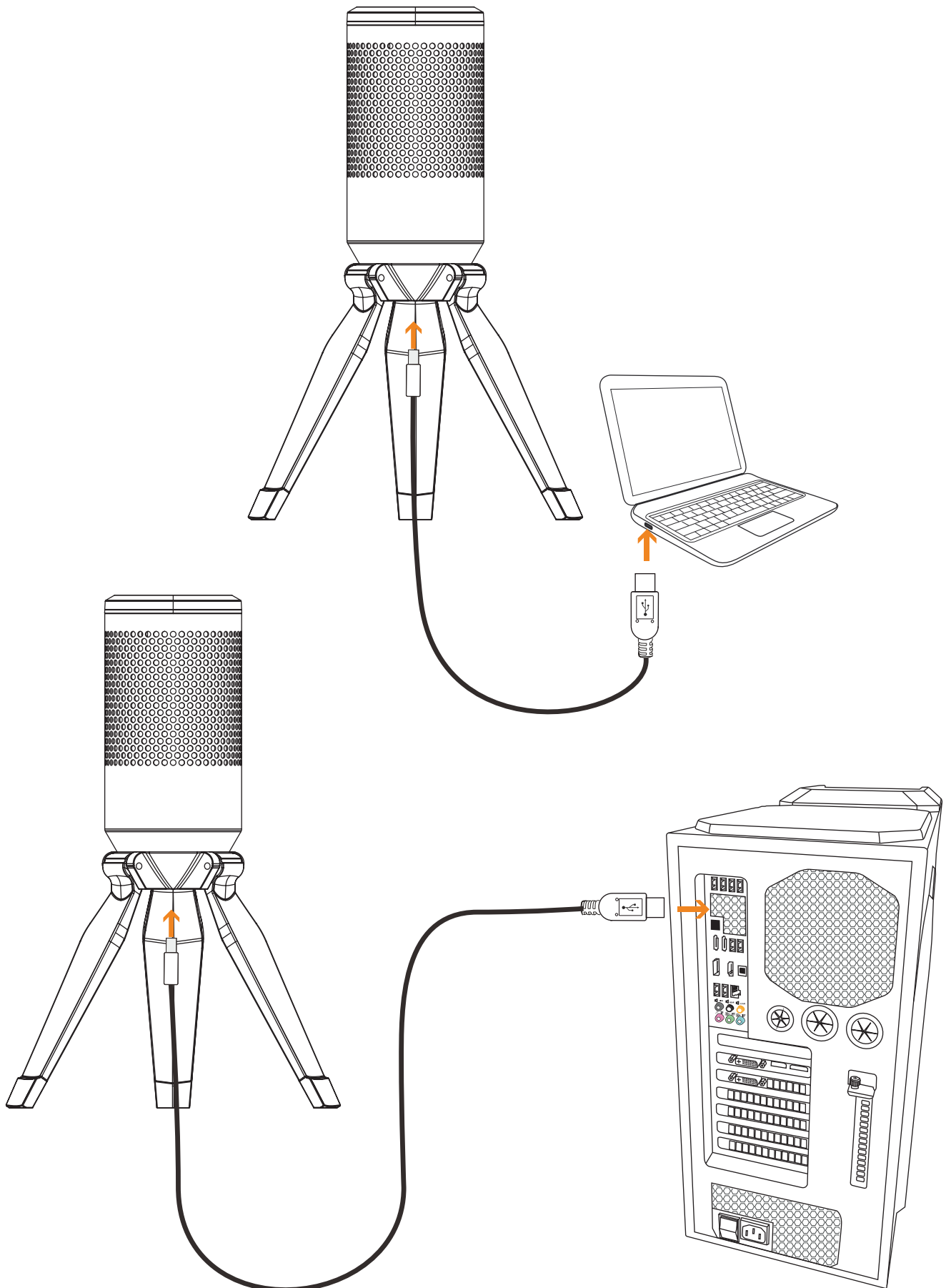
To mute the microphone, press the icon on the top of the microphone. A red LED ring will appear when mute is currently active.



**NOTE:** Adjusting with the volume rocker will only affect microphone headphone output.

## Assembly (continued)

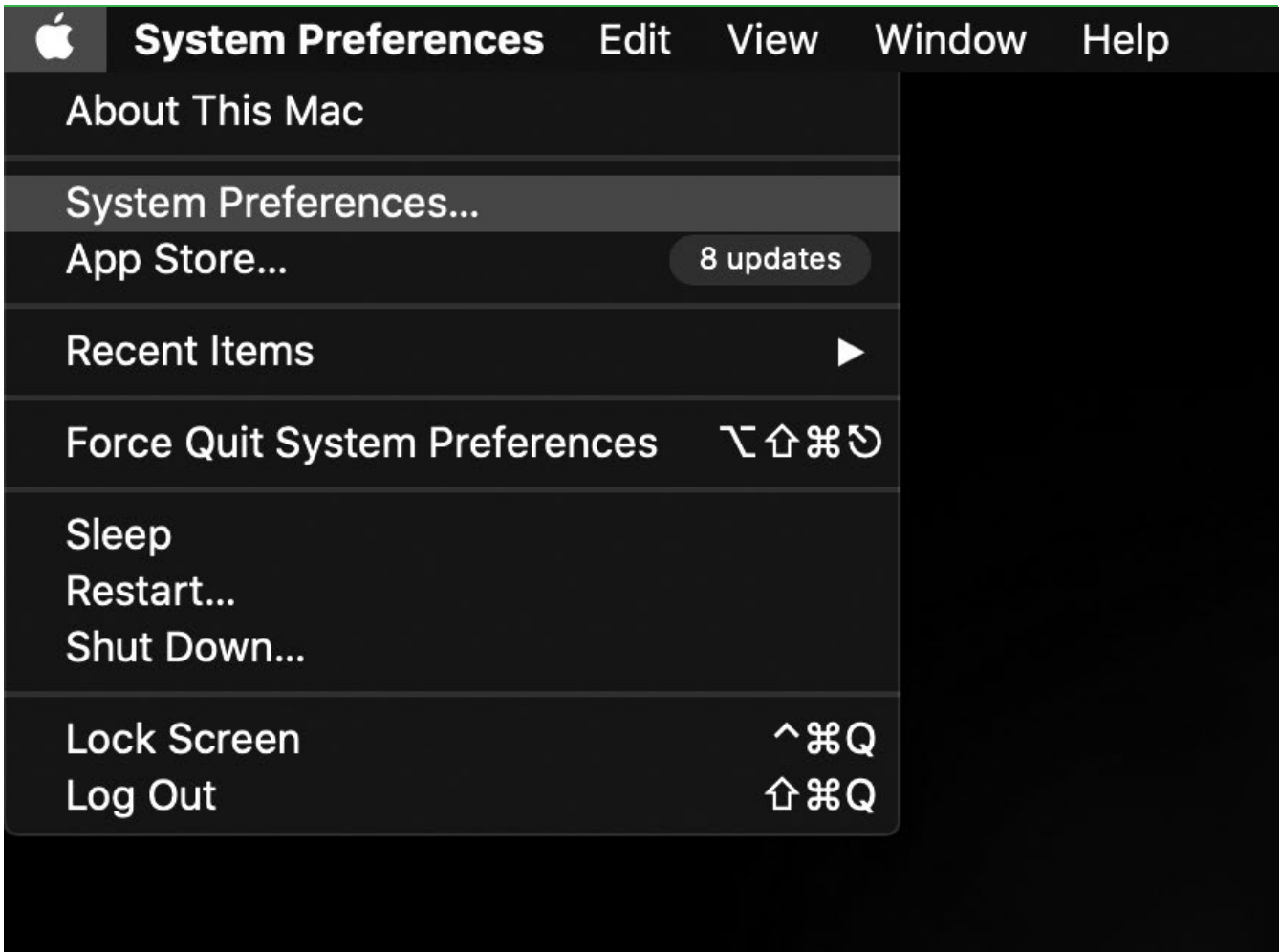
To power the microphone, insert one end of the supplied USB cable into the microphone's port and the other end to a compatible port of your computer or Android Smartphone using the included USB Type A adaptor.



## Preliminary setup with Mac OS X

1. Once you plug the free end of the provided USB cable into the USB port on your computer. Your computer will automatically recognize the USB device and automatically install built-in drivers if needed.

2. To select the **APMIC2** as your audio input, first open your System Preferences



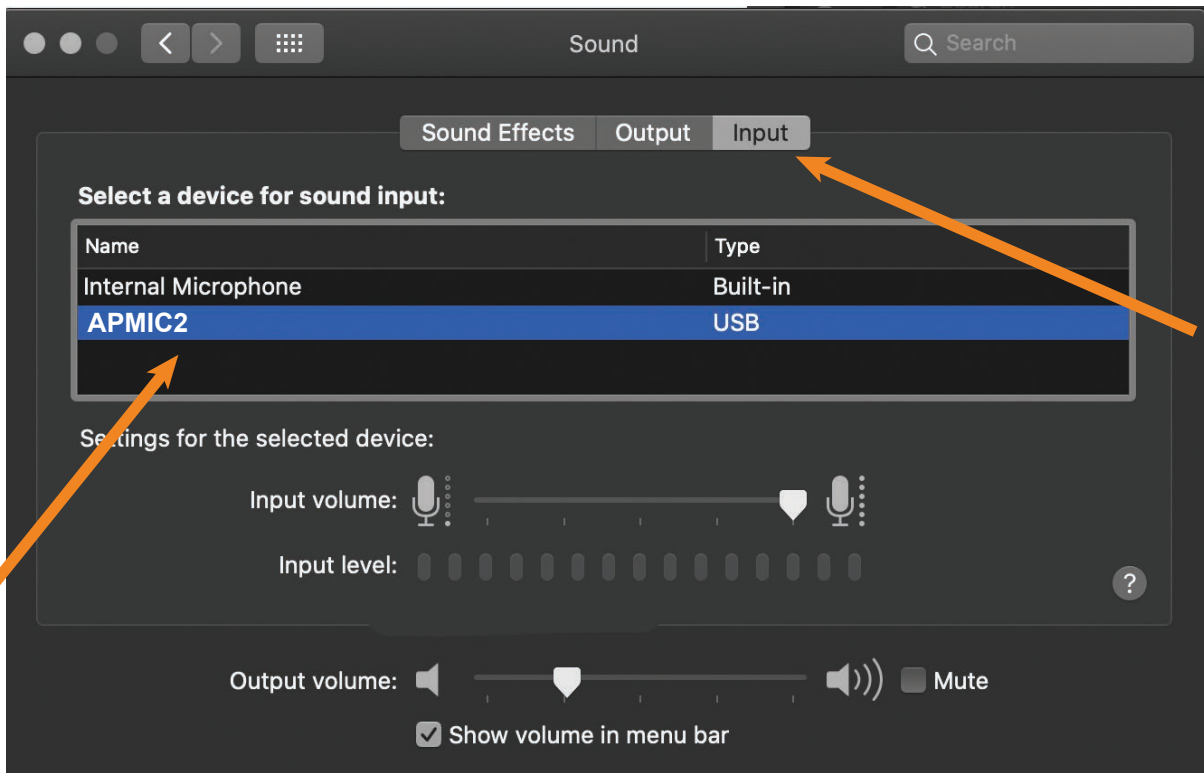
**NOTE:** Many recording software programs are available online. Audacity is widely used free software for recording and editing sounds. It is available online at <http://sourceforge.net>

## Preliminary setup with Mac OS X (continued)

3. Next, click **Sound** to display the Sound Preference panel.



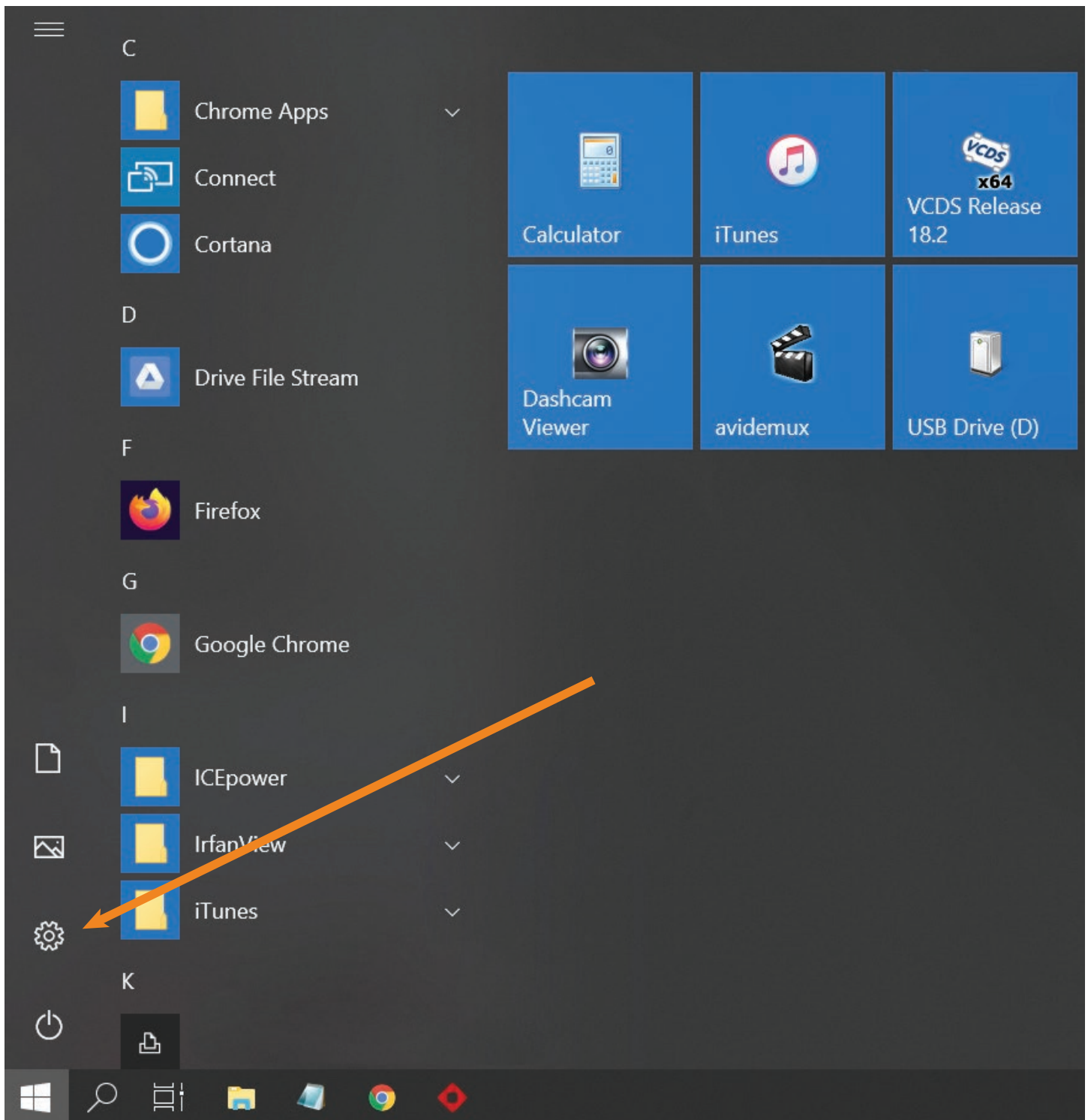
4. Click the **input** tab and select the **APMIC2** as the device for sound input.



Your preferences are now set to use the **APMIC2** on your Mac with Garage Band or another recording program of your choice.

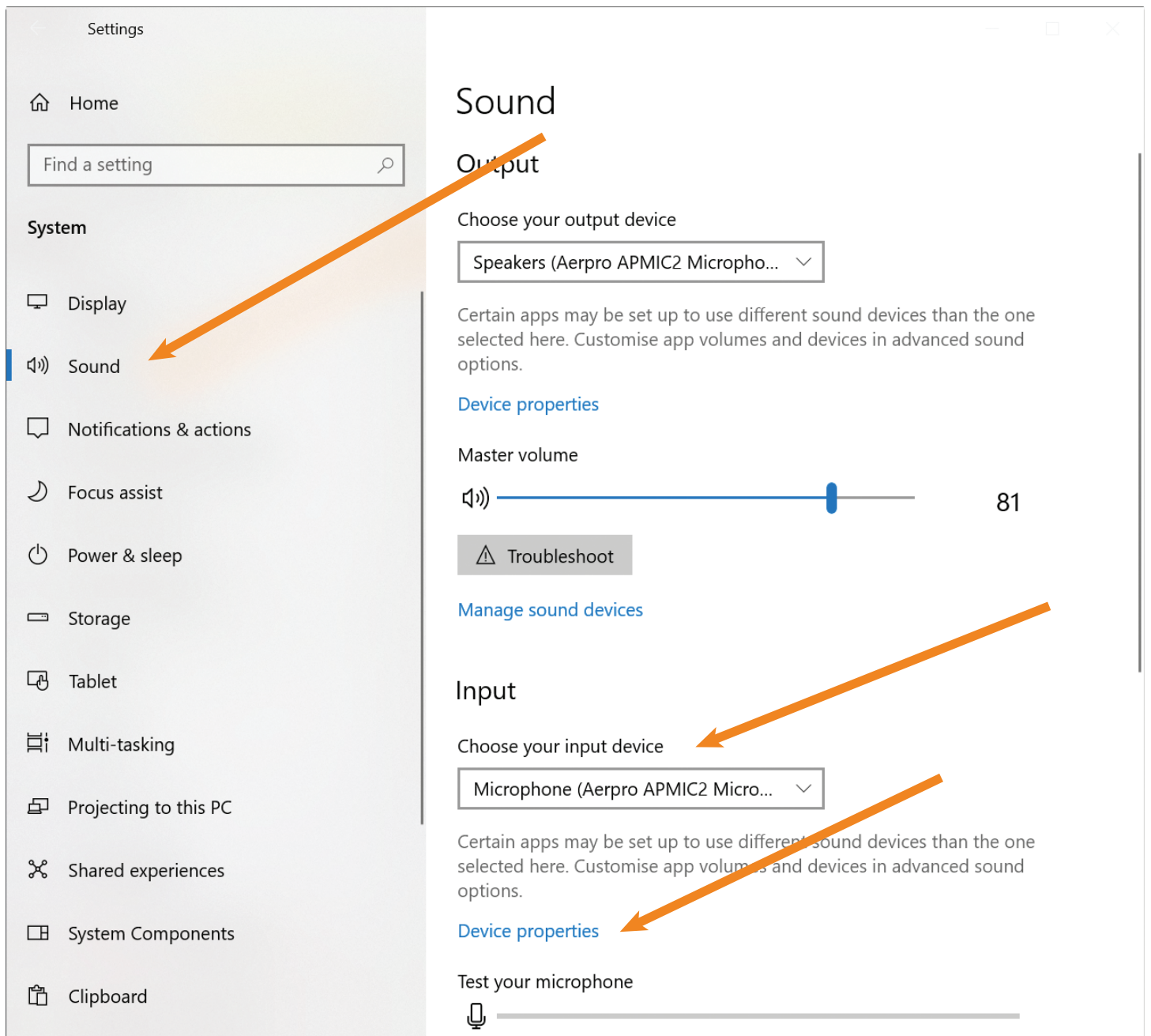
## Preliminary setup with Windows 7/10/11

1. Plug the free end of the USB cable into the USB port on your computer. Your computer will automatically recognize the USB device and automatically install built-in drivers if needed.
2. To select the **APMIC2** as your default recording device, begin at your **START** menu. Select **Settings**



## Preliminary setup with Windows 7/10/11 (Continued)

3. The following screen will pop up
4. Select **Sound**
5. Select **Input** window and choose **APMIC2** as the default device.
6. Click on **Device Properties** to select the levels tab to adjust microphone level (loudness). You may need to come back to this window to readjust the level after you begin recording.



Your preferences are now set to use the **APMIC2** with Windows 7/10/11 using the recording program of your choice.

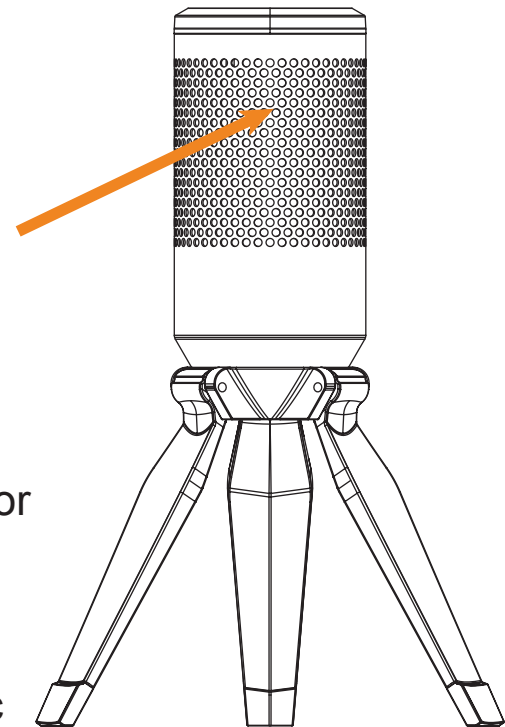


### Setting your software levels

Correct adjustment of microphone level is important for optimum performance. Ideally, the microphone level should be as high as possible without overloading the input of your computer. If you hear distortion, or if your recording program shows levels that are consistently overloaded (at peak levels), turn the microphone volume (or level) down, either through your control panel (or system preferences) settings, or through your recording software. If your recording program shows insufficient level, you can increase the microphone gain either from the control panel (or system preferences) settings or through your recording program.

### Positioning your microphone

It is important to position the microphone directly in line (on axis) with the person speaking/singing or instrument (or other sound source) to achieve the best frequency response of the microphone. This requires the user to speak into the microphone from the front side (Aerpro logo) positioned towards the mouth. As this microphone is directional. The distance from the mouth should be about 1 inch, or 10 - 40mm for optimal recording. For use in speaking/singing applications, the ideal placement for the microphone is directly in front of the person speaking/singing. The same placement is optimal when miking an instrument such as an acoustic guitar, drums or piano. Experiment with different mic placements to find the best sound for your particular setup.



## Features

### FEATURES

- Built to last, the APMIC2 features a robust full metal alloy grill for durability and superior audio quality, and also acts as a pop filter.
- Customize your setup with an adjustable and foldable feet for the perfect recording angle.
- Capture super clear sound with the cardioid polar pattern, focusing on your audio source while minimizing background noise.

## Specifications

- Pick up Pattern: Cardioid
- Frequency Response: 20-20,000Hz
- Sensitivity: -10dBFS
- Max SPL: 103 dB
- Sampling Rate: 24 bit/96KHz
- Signal to Noise Ratio: 72dB
- THD+N Ratio: 0.87%
- Connection to Mic: USB Type-C
- Product size: 185 x 100 x 45mm
- Product Weight: 137g

## Package contents

- Professional USB Microphone
- Microphone carry bag
- USB Type-C to USB Type-A Adaptor
- USB Type-C cable length: 2M

## Compatibility

- PC - Windows 7, 8, 10, 11
- MAC - OSX
- Linux
- Android smartphones

## Technical Assistance

Please retain this user guide for future reference.

If you would like to download a digital copy of this manual, or other Aerpro manuals/software, please visit the Aerpro.com website and search for information on your model.

This manual is considered correct at time of printing but is subject to change. For the latest manual, videos and updates refer to the website.

Copyright © 2024 by TDJ Australia

All rights reserved. No part of this publication may be reproduced, distributed, or transmitted in any form or by any means, including photocopying, recording, copying or other electronic or mechanical methods, without the prior written permission of the author.

TEL: 03 – 8587 8898      FAX: 03 – 8587 8866

Mon-Fri 9am – 5pm AEST

EMAIL: [service@tdj.com.au](mailto:service@tdj.com.au)



Scan here for  
product information  
and user manual.

**aerpro.com**