



**AM**WC PAA1

# **WIRELESS SMARTPHONE ADAPTER**

Converts Wired CarPlay into Wireless CarPlay/Android Auto™

# **QUICK START GUIDE**

[aerpro.com](http://aerpro.com)

## Introduction

This Quick Start Guide provides instructions on how to connect the AMWCPAA1 Wireless Smartphone Adapter to your head unit. This adapter is designed for iPhone/Android smartphones to use Apple CarPlay/Android Auto wirelessly on factory head units which have a built-in wired Apple CarPlay function.

Please refer to the next page for how to check if your vehicle has Apple CarPlay or not. However, NOT every vehicle with built-in CarPlay is suitable to use this adapter. If there are any issues while using the adapter, please do not hesitate to contact Aerpro Support Australia.

For more information on the AMWCPAA1 please refer to the product page on the Aerpro website, scan the QR below or visit [aerpro.com/AMWCPAA1](https://aerpro.com/AMWCPAA1)

## What's Included

- AMWCPAA1 Adapter
- USB cable Type C to Type A USB
- Type C to USB A Adapter



## System requirements

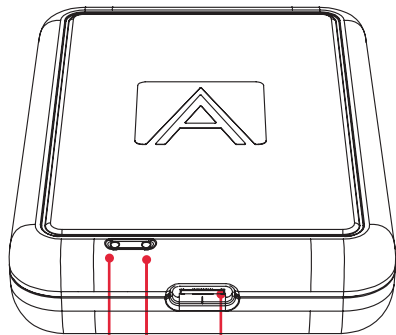
Make sure that your head unit has the CarPlay feature.

Ways to check if your head unit has CarPlay:

- Check with your vehicles manufacture
- Check the vehicles owners manual
- Check the head units user interface for CarPlay
- Plug in a Apple CarPlay compatible device



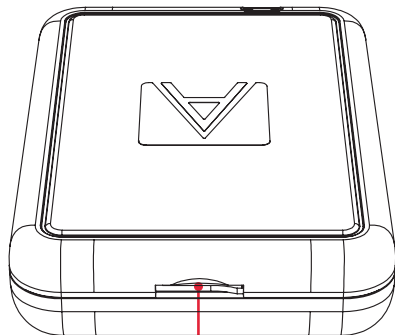
## Product Interface



USB Type C port

Red LED (Power)

Green LED  
(Status)



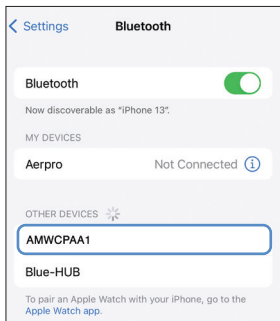
Micro SD card  
Input

- The LED indicator lights will illuminate when active.
- Power light stays on when powered.
- Status light flashing indicates the device is working.

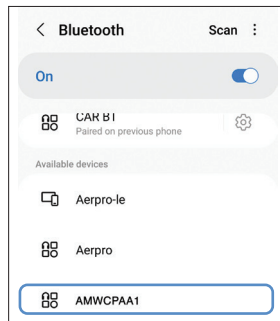
## Connecting to your head unit

1. Connect the AMWCPAA1 to the USB port compatible with CarPlay on your head unit.
2. The AMWCPAA1 will automatically power on and you will be presented with the Aerpro boot up screen. (A blue screen message may appear stating the unit will recalibrate to your screen resolution and reset).
3. For first time connection to the AMWCPAA1, navigate to your smartphones Bluetooth settings and select AMWCPAA1. Your phone will now automatically connect with the AMWCPAA1.

Apple  
Devices



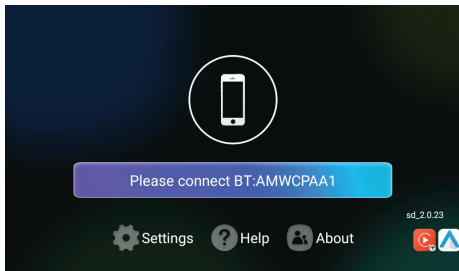
Android  
Devices



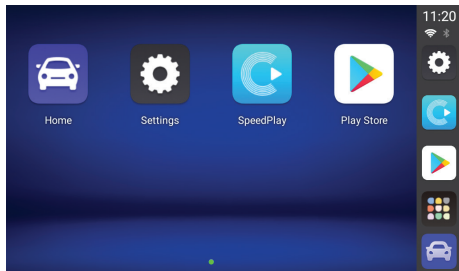
## Connecting to your head unit

- If the SpeedPlay App (**FIG 1**) is not already displayed, select the SpeedPlay App (**FIG 2**).
- The smartphone will now automatically connect via CarPlay or Android Auto.

**FIG.1**



**FIG.2**



## Specifications



**Memory:** 2GB LPDDR3



**Internal Storage:** 16GB Internal Storage



**Expandable Memory:** Micro SD card (up to 128GB)



**WiFi:** 802.11a/b/g/n/ac 2.4Ghz & 5Ghz Dual-Band



**Power Input:** USB 5V



**BT:** 5.0 Version



**Operating Temperature:** -20 ~ +70°C



**Dimensions:** 80\*55.3\*16 mm

## Technical assistance

If you need assistance setting up or using your Aerpro product now or in the future, call Aerpro Support Australia

TEL: 03 – 8587 8898 FAX: 03 – 8587 8866 Mon-Fri 9am – 5pm AEST

If you would like to download a digital copy of this manual, or other Aerpro manuals/software, please visit the <http://aerpro.com> website.

This manual is considered correct at time of printing but is subject to change. For latest manuals and updates refer to the website.

# AERPRO.COM

\*Only compatible with vehicles/head units equipped with wired Apple CarPlay.  
Not compatible with all vehicles/head units equipped with wired Apple CarPlay.

While this product is compatible for use with Apple CarPlay, it is not made or endorsed by Apple.  
Apple, CarPlay and Apple CarPlay are trademarks of Apple Inc.  
Android Auto is a trademark of Google Inc.

