

Aerpro[®]
First Choice

AERA10D

10" MULTIMEDIA RECEIVER

USER GUIDE





androidauto



Apple CarPlay is a trademark of Apple Inc. Use of the Apple CarPlay logo means that a vehicle user interface meets Apple performance standards. Apple is not responsible for the operation of this vehicle or its compliance with safety and regulatory standards. Please note that the use of this product with iPhone, iPod, or iPad may affect wireless performance.

"Made for iPod," "Made for iPhone," and "Made for iPad" mean that an electronic accessory has been designed to connect specifically to iPod, iPhone, or iPad, respectively, and has been certified by the developer to meet Apple performance standards. Apple is not responsible for the operation of this device or its compliance with safety and regulatory standards. Please note that the use of this accessory with iPod, iPhone, or iPad may affect wireless performance. iPad, iPhone, iPod nano, and iPod touch are trademarks of Apple Inc., registered in the U.S. and other countries.

DAB+ and all related marks and logos are trademarks of WorldDAB. All rights reserved.

Android, Android Auto, Google Play and other marks are trademarks of Google LLC.

The Bluetooth word mark and logos are registered trademarks owned by Bluetooth SIG, INC. and any use of such marks by AAMP Global is under license.

HDMI, the HDMI Logo, and High-Definition Multimedia Interface are trademarks or registered trademarks of HDMI Licensing LLC in the United States and other countries

**Visit aerpro.com
for updates and further detailed information.**

TECHNICAL ASSISTANCE:

If you need assistance setting up or using your Aerpro product now or in the future, call Aerpro Support. Australia. Mon-Fri 9am – 5pm AEST
TEL: 03 – 8587 8898
FAX: 03 – 8587 8866

Please retain this user guide for future reference. If you would like to download a digital copy of this manual, or other Aerpro manuals/software, please visit the Aerpro.com website and search for information on your model or scan the QR code below.



CONTENTS

The Basics.....	4	Settings.....	24
Getting Started.....	6	Clock.....	24
AM/FM Radio.....	8	System Settings.....	24
Bluetooth Phone.....	9	Illumination.....	25
Pairing a Device.....	10	Backgrounds.....	26
BT Device Settings.....	11	Display.....	26
Contacts/Call Log.....	12	Tabs.....	26
Bluetooth Music.....	13	Camera.....	27
DAB+ Digital Radio.....	14	Reset Button.....	27
DAB+ Channels/Settings.....	16	Sound Settings.....	28
USB Media.....	17	Equalizer.....	29
Apple CarPlay®.....	18	Factory EQ.....	29
Android Auto™.....	19	Crossover.....	30
iPod.....	20	Time Correction.....	31
HDMI.....	21	Toslink.....	32
AV In.....	21	Gain/Volume.....	32
Cameras.....	22	Reset Button.....	33
Hema Maps Navigation.....	23	Trouble Shooting.....	33
Display Off.....	24	Specifications.....	34

THE BASICS



Internal
Microphone

Home Button

Jump to the Home Menu

Tune/Track Down Button

Media control Previous, Back, Seek
Press & hold function in select sources

Multifunction Button

Press & Hold to
Turn to adjust V
Press to Mu



Reset
Button

Voice Button

Launches voice control

Tune/Track Up Button

Media control Next, Forward, Seek
Press & hold function in select sources

Function Knob

Power On/Off
Volume Up/Down
Mute/Unmute

GETTING STARTED



POWER UP!

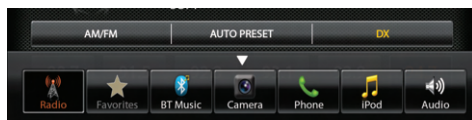
With vehicle ignition in the ON or ACC position, Press and Hold the knob for 2 seconds to power ON/OFF.

The source will automatically default to the last source used prior to powering down.

You can adjust the audio volume at start-up in **Sound Settings** on page 32.

The **Information Bar** is located at the top of the screen. Depending on the SOURCE, it will provide information or content sensitive controls. Also, displays time, phone info and may contain BACK ARROW and EXIT buttons.

Customizable **TABS** can be accessed by swiping the up arrow ▲ at the bottom of the screen. Tabs give direct access to sources/settings and can be customized in **Settings > Tabs** on page 26.



The active Tab will be highlighted and sources that are not available will be dimmed out. Once the Tabs are opened, they will auto-close after 5 seconds or press the down arrow ▼ to close the tabs.

SELECTING A SOURCE

To select a source, press the **HOME** button.

The HOME MENU displays all Sources, along with Settings, Audio, Display and Camera options.

SOURCES that are not currently available are grayed out.



QUICK TIP

There are multiple ways to scroll...
Swiping Up/Down, Up/Down Arrows

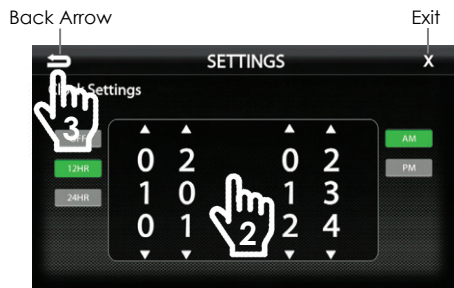
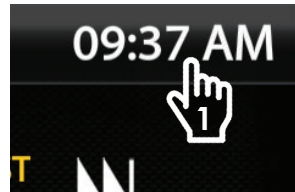


SETTING THE TIME

1) Touch and Hold the Time Display on the Information Bar for 2 seconds to access the clock settings.

2) Swipe or click arrows to set time and format.

3) Touch the **BACK ARROW** or **EXIT** to save and exit.



AM/FM RADIO



Press the **HOME BUTTON > Radio** to select the Radio

- 1 Station Presets** - To assign a preset, go to desired station, press and hold a preset location until preset button highlights and station frequency appears. A total of 18 FM and 12 AM stations can be stored in memory.
- 2 AM/FM** - Press to cycle through AM/FM presets (FM1-FM2-FM3-AM1-AM2)
- 3 PTY Program Type** - Indicates radio station type.
- 4 Tune/Seek Down** - Press and release to Tune Down. Press and hold to Seek the next available radio station.
- 5 Station Display** - Displays current frequency.
- 6 ST Indicator** - Indicates when current radio station is in Stereo.
- 7 Tune/Seek Up** - Press and release to Tune Up. Press and hold to Seek the next available radio station.
- 8 Preset Bank** - Indicates current preset bank.
- 9 RT Info**- station/title/artist information
- 10 DX/LOC** - changes the radio tuner sensitivity. Touch to toggle between Distant (DX) and Local (LOC).
- 11 Auto Preset** - Touch to automatically set the 6 presets with current location radio stations.

Bluetooth PHONE



Press the **HOME BUTTON > Phone** to select the Phone

- 1 Number Pad** - Touch to launch the number pad for dialing phone numbers.
- 2 Speaker/Phone** - Switches phone calls between the car speakers and the phone handset.
- 3 Clear** - Clear/delete last number entered.
- 4 Call/Answer** - Dials the number entered on the phone or on the number pad. Answers incoming call.
- 5 End/Decline** - Press to end active call or decline incoming call.
- 6 Device Info** - Displays the name of the currently paired device, signal strength and battery status.
- 7 Favorites** - Customizable list of favorite contacts.
- 8 Contacts** - List of contacts from paired phone. Not supported by all phones.
- 9 Settings** - List of devices and settings. Add or Delete devices.
- 10 Call Log** - Recent Dialed, Received and Missed calls.

Bluetooth PHONE

Pairing a Device

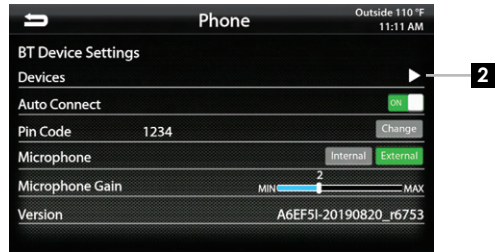
- 1 Select **Settings** from the Phone main menu to go to BT Device Settings.
- 2 Select **Devices** ► on the BT Device Settings page.

Place your device in Discoverable Mode.

- 3 Select **ADD** on the Devices page
- 4 Select your device from the list.

NOTE!

If your device does not appear in the device list, confirm it is discoverable and select Retry



- 5 Select **Connect** to initiate pairing

Bluetooth PHONE

- 6 Select **Pair** when prompted.

Confirm Key Code on device and select Pair on device.

If prompted, select Allow to share contacts



NOTE!

Once a device is paired, it will automatically connect whenever the system is turned on and the device is within range. To manually connect or connect to a different device go to Phone > Settings > Devices

BT Device Settings

Once a device is paired and connected, settings can be set on the BT Device Settings page.

Devices ▶

Access list of all devices in memory.
Connect/Add/Delete devices.

Auto Connect [ON/OFF]

Set to ON if you want the device to automatically connect when the system is turned on.

Pin Code [CHANGE]

Change the pin code for Bluetooth connection. The default pin code is "1234"

Microphone [Internal/External]

Set to External if external microphone is installed. Set to Internal to use the microphone located on the front of the display.

Microphone Gain [0-6]

Adjusts the volume (sensitivity) of the microphone when using hands free phone.



Bluetooth PHONE

Contacts

While a device is paired, Contacts can be accessed by selecting Contacts from the Phone main menu. It may take several minutes to load all contacts. When a contact is selected from the list, all associated numbers (Home/Work/Mobile) will be displayed on the left side of the screen. Touch the number you want to dial.

To add a contact number to the Favorites list, touch **FAVORITES** next to the contact phone number and it will be added to your Favorites list.

The Favorites list can be accessed from the Phone main menu.

To **Search** your contact list, select the keyboard icon on the Information Bar.



Call Log

The Call Log lists recently Dialed, Received and Missed calls. Touch the contact or phone number to dial a number.



Bluetooth **MUSIC**



Press the **HOME BUTTON > BT Music** to select the BT Music source

- 1 Next Track/Program** - Touch to advance to the Next track/Program.
- 2 Play/Pause** - Touch to play or pause the audio.
- 3 Previous Track/Program** - Touch once to restart current track, touch again for Previous track.
- 4 Song/Program Information** - Displays information for the current track.

DAB+ Digital Radio

DAB (which stands for Digital Audio Broadcasting) is a radio industry standard with broadcast channels across Australia using a digital signal. DAB is generally more efficient in its use of the spectrum than conventional analogue radio signals, thus providing a high quality audio experience and minimising dropouts. With the additional use of service following, you're able to listen to the radio stations you love over multiple service areas, ideal for long journeys.

DAB+ Digital Radio



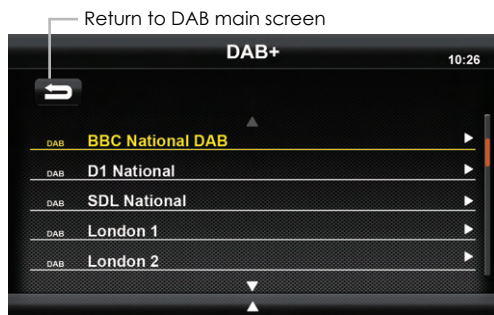
Press the **HOME BUTTON > DAB+** to select the DAB+ radio source.

- 1 Channel Presets** - To assign a preset, go to desired channel, press and hold a preset location until preset button highlights and channel name appears. A total of 18 channels can be stored in memory.
- 2 Channel Down/Up** - Touch to go to previous channel / advance to next channel. Touching and holding either button will rapidly browse through the channels.
- 3 DAB Radio Info** - Displays current channel category, channel number and preset bank number.
- 4 Channel Info**- Displays channel name, song/content info.
- 5 Settings** - Select to edit features and functions of the DAB operation.
- 6 Menu Quick Select** - Allows for quick navigation to other app's (i.e. reverse camera)
- 7 Search** - Touch to display search of DAB channels/program type or ensembles.

DAB+ Digital Radio

Ensembles

Entering the search function will display a list of available local and national DAB ensembles within range of the Heigh10 unit. Use the arrows to navigate the list, and touch the screen to select the desired ensemble.



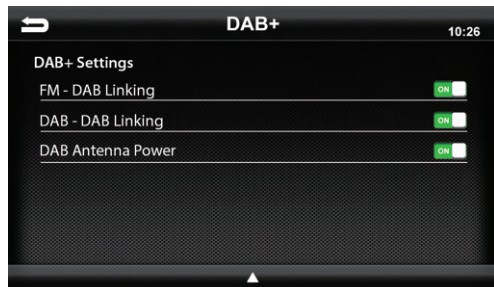
Channels

When entering a DAB ensemble, you will view a range of DAB channels. Use the arrows to navigate the list, and touch the screen to select the desired channel.



Settings

Entering the settings tab enables you to switch options involving FM to DAB and DAB to DAB Linking to ensure a seamless DAB connection whilst travelling. It also provides an option for 'Antenna Power' if the vehicle features a powered DAB antenna.



USB Media

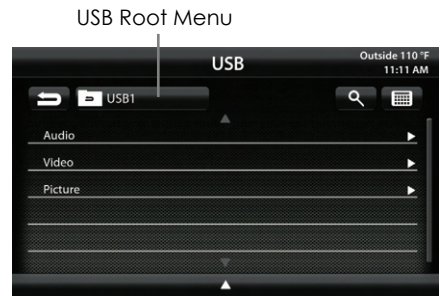


With a USB drive plugged in - press the **HOME BUTTON > USB** to select USB.

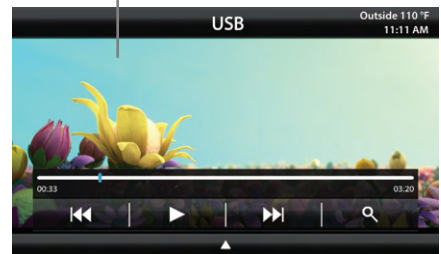
From the USB Root Menu you can browse Audio, Video and Image files. See page 37 for a list of supported file types.

Touch to select a file to view/play.

- 1 Previous Track** - Touch once to restart current track, touch again for Previous track.
- 2 Play/Pause** - Touch to play or pause the audio.
- 3 Next Track** - Touch to advance to the Next track.
- 4 Browse** - browse artist, album or songs.
- 5 Keyboard** - direct input song search
- 6 Repeat** - Press once to repeat the current track (1), press again to repeat album/folder (F).
- 7 Shuffle** - Plays tracks in random order.



Video / Image Files



Apple CarPlay®

Set up Apple CarPlay

You can use Apple CarPlay to get directions, make calls, send and receive messages, and more.

You need an iPhone 5 or later to use Apple CarPlay. Also, make sure that you're in an area that supports Apple CarPlay and that Siri is on. To turn on Siri on your phone, go to Settings > Siri & Search.

With the your vehicle running, plug your iPhone into the Apple CarPlay USB port. Apple CarPlay will launch automatically.

If your iPhone is already plugged into the USB, press the **HOME BUTTON > Apple CarPlay** to launch Apple CarPlay.

NOTE: If Apple CarPlay will not launch, see Troubleshooting.

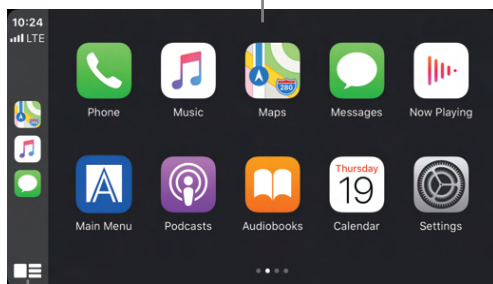
The display will show available apps. Only apps that are supported by Apple CarPlay will appear.

To add, remove, or customize the order that the apps are in on your iOS device:

1. Go to Settings > General, and tap CarPlay.
2. Select UN1810E
3. Select Customize
4. Use the add or delete icons to add or remove apps. Tap and drag an app to change the icon order.

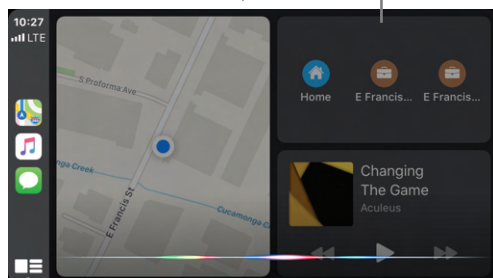
To exit Apple CarPlay, press the Aerpro Main Menu icon.

CarPlay Home



Toggle CarPlay Home / Dashboard

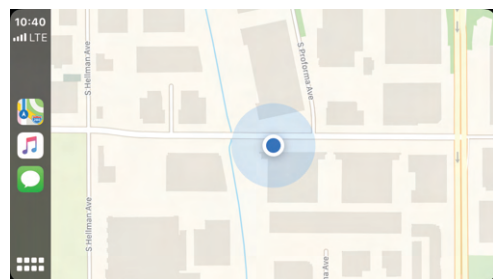
CarPlay Dashboard



Press & Hold for Siri



Ask Siri for what you need. Press the Voice Control button or the Home/Dashboard button in Apple CarPlay until Siri appears on the display, then say what you need.



Android Auto™

Set up Android Auto

Make sure your phone is running Android 5.0 (Lollipop) or later. Download the Android Auto app from Google Play on your device. Once the app is installed, open the app and follow the setup steps.

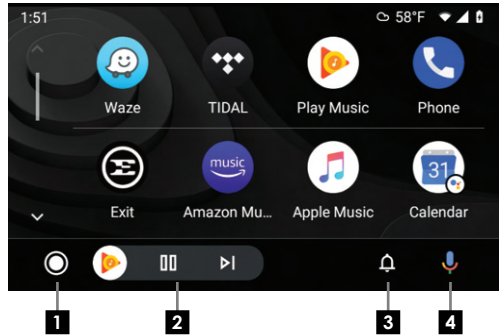
Connect your phone

Before you connect your phone for the first time, turn on your car. Make sure it's in park (P) and that you have time to set up Android Auto.

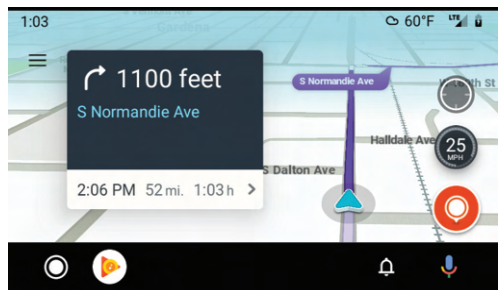
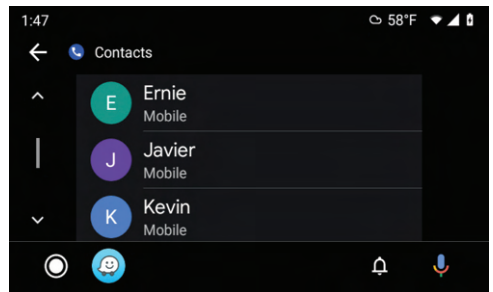
1. Unlock your phone's screen.
2. Connect your phone using a USB cable.
3. Your phone might ask you to download or update certain apps, like Google Maps.
4. Review the Safety Information and Android Auto permissions to access your apps.
5. Turn on notifications for Android Auto. For the best experience, we recommend accepting all requests.

Your phone's Bluetooth will be turned on automatically when Android Auto is connected to the car via USB.

To exit Android Auto, touch the Exit icon.



- 1 Home Button
- 2 Audio Controls
- 3 Notifications
- 4 Voice Command



iPod®



Press **MENU > iPod** to select iPod as the source.

- 1** **Previous Track** - Touch once to restart current track, touch again for Previous track.
- 2** **Play/Pause** - Touch to play or pause the audio.
- 3** **Next Track** - Touch to advance to the Next track.
- 4** **Browse** - browse artist, album or songs.
- 5** **Keyboard** - direct input song search
- 6** **Repeat** - Press once to repeat the current track (1), press again to repeat album/folder (F).
- 7** **Shuffle** - Plays tracks in random order.



Browse and Select by Artists, Albums, Playlists, Songs...

HDMI INPUT

Press the **HOME BUTTON > HDMI** to switch to the HDMI input.

The HDMI input can be used for an external DVD player, streaming sticks, media players, smartphone mirroring.

You can only view HDMI content with the vehicle in Park and the parking brake ON.

When viewing HDMI content, the Information Bar will auto-hide. To access the Information Bar, touch anywhere on the screen.



AV IN

Press the **HOME BUTTON > AV IN** to switch to the AV input.

You can only view the AV input with the vehicle in Park and the parking brake ON.

When viewing the AV IN, the Information Bar will auto-hide. To access the Information Bar, touch anywhere on the screen.



WARNING!

Driver is prohibited by law from viewing a video signal on any in-dash monitor while the vehicle is in motion.

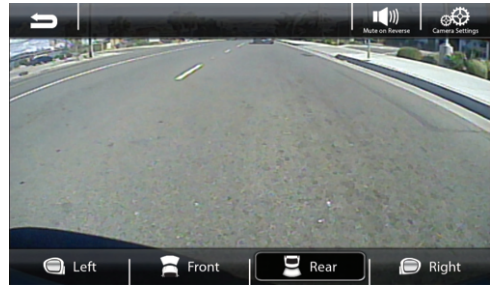
CAMERAS

Press the **HOME BUTTON > Cameras** to access Cameras

If there are optional cameras installed, you may view them at anytime using the camera selection bar at the bottom of the screen.

To Exit camera view, touch the Back Arrow.

Note: For triggered side cameras that turn on automatically with the turn signals, you can override and close the camera view by touching the screen.



Mute On Reverse

The Mute on Reverse feature will mute all audio while in Reverse, touch the speaker icon to toggle between mute ON/OFF.



Settings > Camera Settings

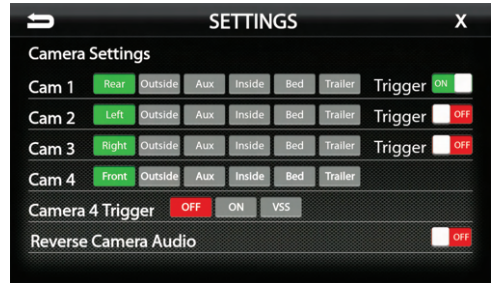
Cam1-4 Label
[REAR-OUTSIDE-AUX-INSIDE-BED-TRAILER]
Allows custom labeling for multiple cameras

Cam 1-3 Trigger [ON-OFF]
Set individual camera triggers ON/OFF

Cam 4 Trigger [ON-OFF-VSS]
Set Camera 4 trigger ON, OFF or Vehicle Speed Sense.

Use VSS Mode when parallel parking aid is desired (front camera and VSS wire need to be connected).
On VSS Mode, the front camera will turn on after shifting from Reverse gear and remain On until the speed reaches above 5MPH or the display is touched.

Reverse Camera Audio [ON-OFF]
When set to ON and a microphone is connected, back up camera audio will be heard through the vehicle's speakers.

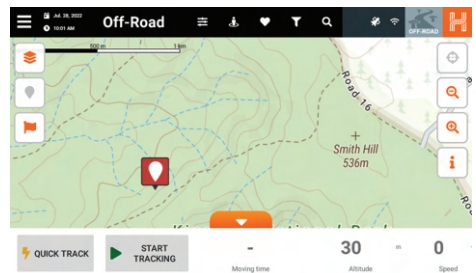
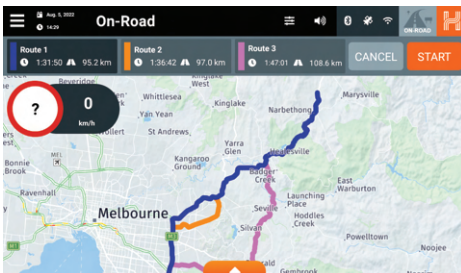


HEMA MAPS NAVIGATION (Aerpro AMHXD3 Sold separately)

Press the **HEMA MAPS BUTTON** >
to access Hema Maps

The Aerpro AMHXD3 Hema Maps Navigation Module seamlessly integrates On-Road and Off-Road Navigation onto the head unit display in your vehicle. Optimised for Aerpro Multimedia Receivers and compatible with various aftermarket head units*, the AMHXD3 simply connects via the Apple CarPlay USB port. Experience turn by turn street navigation provided by HERE Technologies and Hema Maps' award winning off road navigation and track information. Hema Maps provides the most comprehensive on and off-road content including over 100,000 Hema-X moderated listings with over 40,000 Hema Maps verified points of interests (POI's) including campsites, caravan parks and other touring points of interest.

For more information go to the website: aerpro.com/AMHXD3



DISPLAY OFF

Press the **HOME BUTTON > Display Off** to turn off LCD.

This is useful at night to prevent eye fatigue.

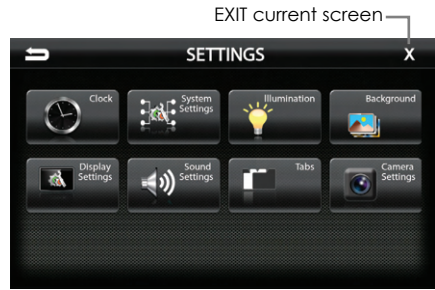
Tap the screen anywhere to return to regular display.



SETTINGS

Press the **HOME BUTTON > Settings** to access the Settings main menu.

- Clock
- System Settings
- Illumination
- Background
- Display Settings
- Sound Settings
- Tabs
- Camera Settings

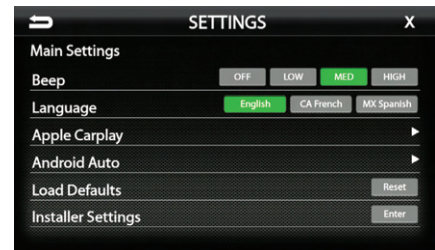
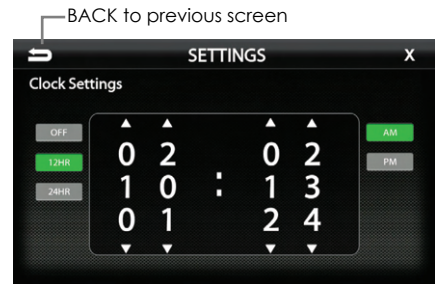


Settings > Clock

Clock Settings [OFF-12HR-24HR]
Select time format. Swipe or click arrows to set time.

Settings > System Settings

- Beep [OFF-LOW-MED-HIGH]
Sets volume of confirmation beeps.
- Language [ENGLISH-FRENCH-SPANISH]
Set display language
- Apple CarPlay [See Page 25]
- Android Auto [See Page 25]
- Load Defaults [RESET]
Selecting Reset will reset all settings to factory defaults. This process takes 5-7 minutes and system must NOT be shut down during the reset.
- Installer Settings [ENTER]
See Installation Guide or Firmware Update Instructions for more information.



SETTINGS

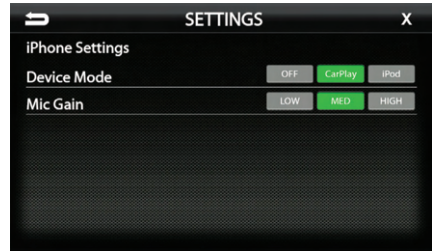
Settings > System Settings > Apple CarPlay

Device Mode [OFF-CarPlay-iPod]

Determines how iPhone will be used when plugged into USB port. OFF is charging only.

Mic Gain [LOW-MED-HIGH]

Sets microphone gain (sensitivity) when using Apple CarPlay.



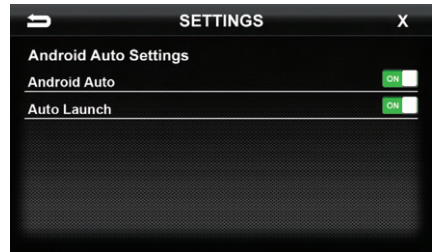
Settings > System Settings > Android Auto

Android Auto [ON-OFF]

Set to OFF for charging only with Android devices.

Auto Launch [ON-OFF]

When set to ON, Android Auto will automatically launch when compatible Android device is plugged into USB port.



Settings > Illumination

Illumination [OFF-ON-AUTO]

Turn button illumination ON/OFF. Set to AUTO for buttons to illuminate only when vehicle lights are on.

Illumination Brightness [0-20]

Set brightness of button illumination

Highlight Colors

[AMBER-RED-AQUA-GREEN-BLUE-WHITE]

Set on-screen highlight color.

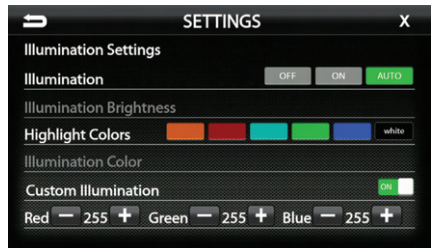
Illumination Color

[AMBER-RED-AQUA-GREEN-BLUE-WHITE]

Set button illumination color.

Custom Illumination [OFF-ON]

When Custom Illumination is set to ON, allows custom illumination color based on RGB values.



SETTINGS

Settings > Background

Allows you to change the background image. Touch image thumbnail to select. You can upload up to 3 of your own images. To upload an image(s), copy images onto a USB thumb drive and connect drive to one of the USB ports. Touch the ⊕ symbol and select file. Images should be JPG or PNG file format and 1024*600 resolution



Settings > Display Settings

Brightness [0-20]

Adjust Day and Night brightness of LCD display.

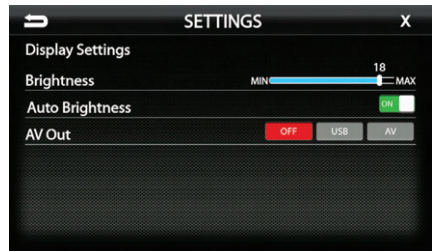
To adjust Night brightness level, turn on vehicles lights and then adjust brightness.

Auto Brightness [ON-OFF]

When set to ON, display screen will automatically dim when vehicle lights are turned on.

AV [OFF-USB-AV]

Determines which source is routed to the AV outputs.



Settings > Tabs

The Tabs are customizable and can be configured to include favorite sources or settings.

To Program a Tab:

- 1) Select a Tab position (1-7) on the bottom row
- 2) Select the desired source or setting from the options on the top rows.



SETTINGS

Settings > Camera Settings

Cam 1-4 Label

[REAR-OUTSIDE-AUX-INSIDE-BED-TRAILER]

Allows custom labeling for multiple cameras

Cam 1-3 Trigger [ON-OFF]

Set individual camera triggers ON/OFF

Cam 4 Trigger [ON-OFF-VSS]

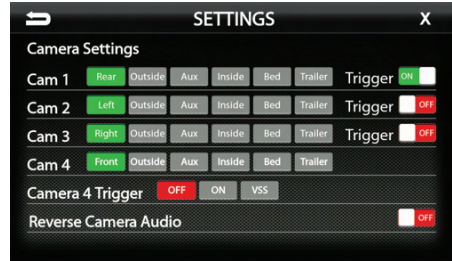
Set Camera 4 trigger ON, OFF or Vehicle Speed Sense.

Use VSS Mode when parallel parking aid is desired (front camera and VSS wire need to be connected).

On VSS Mode, the front camera will turn on after shifting from Reverse gear and remain On until the speed reaches above 8kmh or the display is touched.

Reverse Camera Audio [ON-OFF]

When set to ON and a microphone is connected, back up camera audio will be heard through the vehicle's speakers.



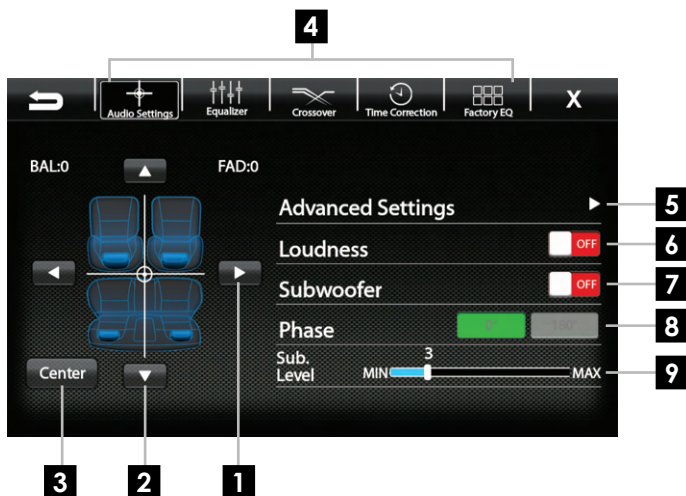
Reset Button

The Reset Button is located on the lower right hand corner of the display. To reset the unit the power must be on, use a paper clip or similar to push the reset button for 2 seconds and release. The reset will take a few minutes, do not turn of power during this time.



Reset Button

SOUND SETTINGS



Settings > Sound Settings

- 1** Balance [-9 - 0 - 9]
Using the Left and Right arrows, adjusts the speaker balance Left/Right.
- 2** Fader [-9 - 0 - 9]
Using the Up and Down arrows fades the speakers Front/Rear.
- 3** Center
Press to set balance and fade to zero (0)
- 4** Audio Menu Bar
Access to Equalizers, Crossovers and Time Correction
- 5** Advanced Settings
Access to gain/volume settings, Toslink, microphone settings. (See page 32)
- 6** Loudness [ON-OFF]
When ON, boosts low and high frequencies when listening at lower volume
- 7** Subwoofer [ON-OFF]
Turns subwoofer output ON/OFF
- 8** Phase [0°-180°]
Changes phase of subwoofer signal.
- 9** Sub Level [0-15]
Adjusts volume level of subwoofer output.

SOUND SETTINGS

Sound Settings > Equalizer

Selecting Equalizer from the Audio Menu Bar will bring up the 15 band graphic equalizer and presets. Frequency adjustments can be made by touching and sliding the frequency sliders up/down. Once the desired sound is achieved, it can be saved as a Preset.



Saving EQ Settings

There are 6 user Presets that can be used to save EQ settings. This is useful for having EQ settings for different types of music, volume levels or for different sources.

When you are done adjusting the EQ, touch and hold a Preset location to save the settings. The Preset will highlight.



Sound Settings > Factory EQ

Selecting Factory EQ from the Audio Menu Bar will access factory equalizer presets for different music types.

Rock - Hip-Hop - Electronic - Jazz - Pop

When a Factory EQ preset is selected, it can be fine-tuned using the Equalizer and then re-saved as a User Preset.



SOUND SETTINGS

Sound Settings > Crossover

Selecting Crossover from the Audio Menu Bar will access the internal electronic variable crossover. Crossover settings can be saved and recalled via Presets.

Front / Rear / Subwoofer Channels
Select Front, Rear or Subwoofer to set crossover.

Slope [6dB-12dB-18dB]
Adjusts the slope of the crossover.

Frequency
[BYPASS-25-40-63-80-100-160-250Hz]
Adjusts crossover frequency. Front and Rear channels are High Pass and Subwoofer is Low Pass.

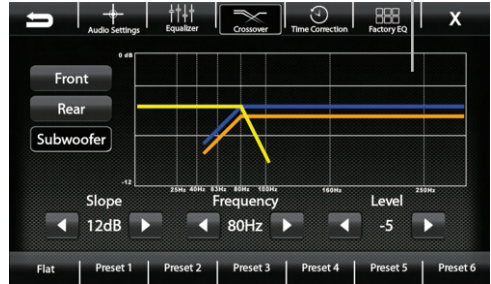
Level [-12 - 0]
Adjusts signal level. Channel levels can be adjusted regardless of crossover settings.

Saving Crossover Settings

There are 6 user Presets that can be used to save Crossover settings.

When you are done adjusting the Crossover, touch and hold a Preset location to save the settings. The Preset will highlight.

Graphical representation of crossover
Slope, Frequency and Level.



Front Channel = Blue
Rear Channel = Orange
Subwoofer = Green
Active (Selected) = Yellow

SOUND SETTINGS

Sound Settings > Time Correction

Selecting Time Correction from the Audio Menu Bar will access the Time Correction settings. Time Correction settings can be saved and recalled via Presets.

Time Correction compensates for the uneven distances between the speakers and a listener's ears. Time Correction delays signals from the closest speaker(s), so that all the sound arrives at the listening position at the same time, giving the listener a more accurate, life-like stereo image.

To set Time Correction, select a listening position, for example the driver's seat headrest. Then measure from each speaker to the listening position. Set Units to Inch and input speaker distance values into the appropriate positions using the +/- buttons.

Saving Time Correction Settings

There are 6 user Presets that can be used to save settings. When you are done adjusting the Time Correction, touch and hold a Preset location to save the settings. The Preset will highlight.

Select milliseconds or inches



SOUND SETTINGS

Settings > Sound Settings > Advanced Settings

Selecting Advanced Settings ► from the Audio Settings screen will access the following settings:

Defeat [ON-OFF]

When set to ON, this will defeat/bypass all equalizer, crossover, speakers settings. This is useful when connecting to a DSP.

Default Audio Settings [Reset]

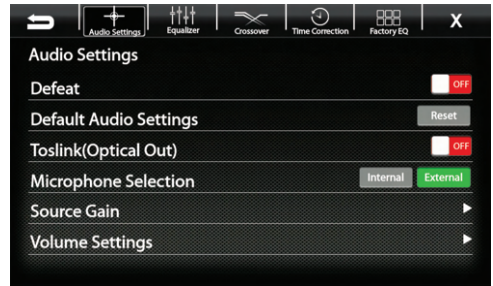
Press to Reset all audio settings to default.

Toslink(Optical Out) [ON-OFF]

Turns variable digital output ON/OFF

Microphone Selection [INTERNAL-EXTERNAL]

Select External if external microphone is installed. Select Internal to use built-in microphone.



Source Gain Settings ►

Selecting Source Gain from the Advanced Audio Settings will allow gain/volume adjustments for individual sources. For example, if AM/FM is much louder than BT Music, lower AM/FM and/or raise BT Music to even out volume levels.



Arrow down for additional sources

Volume Settings ►

Selecting Volume Settings from the Advanced Audio Settings will access the following Volume settings:

Start Volume [LAST-CUSTOM]

LAST will be same level as when unit was shut off. CUSTOM will be a preset level adjusted below.

Volume Slider [0-40]

Adjusts CUSTOM volume level to specific level.

The Volume Mode is adjustable for Bluetooth(BT), Navigation(NAV) and Voice using the same procedure.



TROUBLE SHOOTING

General

Black Screen with Audio

Touch the screen anywhere as it may have been turned off, see page 24. Ensure the cables on the back of the screen are fully locked into place and also properly connected at the back of the radio module. Check for damaged/kinked cables.

Display Image is Inverted

Press and Hold the HOME BUTTON for 5 seconds. The Display Orientation page will appear, select desired orientation.

Bluetooth

Device will not Pair

Ensure Bluetooth is turned ON in your device settings. Delete all unused devices. Restart/Reboot device and try pairing again. (Page: 10)

Music Volume is low

- Turn up volume on device
- Turn up volume on head unit.
- Turn up BT Volume Gain (Page: 32)

Phone Volume is low

- Turn up volume on device
- Turn up volume on head unit.
- Turn up BT Volume Gain (Page: 32)
- Turn up Mic Gain (Page: 11)

Video/Cameras

Rear Camera not displaying in reverse

- Make sure rear camera trigger is ON (Page: 27)
- If display is showing NO SIGNAL in reverse, ensure camera RCA is plugged into correct RCA input (CAMERA IN).
- Confirm camera has power and ground.
- Confirm camera trigger is receiving positive 12V.

Note: NTSC and PAL video formats only.

Apple CarPlay

Apple CarPlay will not start/launch

- Ensure you are using a Apple certified cable
- Make sure you are plugged into USB #1 (top)
- Make sure Apple CarPlay is turned ON (Page 18)

Android Auto

Android Auto

- Ensure you are using a USB certified cable
- Make sure Android Auto app is downloaded and installed on your device.
- Make sure you are plugged into USB #1 (top)
- Make sure Android Auto is turned ON (Page 19)

SPECIFICATIONS

GENERAL

Operating Voltage: 9.0VDC to 18VDC
Grounding system: Negative Ground
Max current consumption: 10A fused

DIMENSIONS

Radio Module:
178 mm x 100 mm x 116 mm (W x H x D)
Display:
247.2 mm x 180.6 mm x 48.5 mm (W x H x D)

DISPLAY

10-inch Diagonal
16:9 aspect ratio
1024 x 600
Pixels: 1,843,200
Active area 222.72 (W) x 125.28 (H) mm
Operating Temperature (C) -20° to 70°

AUDIO

Peak power output: 50W x 4ch/4 Ω
Load impedance: 4 Ω nominal / 2 Ω allowable
Continuous power output:
25W x 4ch/4 Ω 20Hz to 20KHz,
1%THD at 14.4V
Audio output level (max): 4.0V preout
EQ: (15-band)
25Hz/40Hz/63Hz/100Hz/160Hz/250Hz/400Hz/
630Hz/1KHz/1.6KHz/2.5KHz/4KHz/6.3KHz/
10KHz/16KHz
Gain: \pm 12dB (2dB/step)
HPF: 25Hz/40Hz/63Hz/80Hz/100Hz/160Hz/250Hz
Slope: 6dB, 12dB, 18dB

AUDIO (CONT.)

Subwoofer Preout
LPF: 25Hz/40Hz/63Hz/80Hz/100Hz/160Hz/250Hz
Slope: 6dB, 12dB, 18dB
Gain: -14dB to 7dB (1dB/step)
Phase: 0 or 180
Speaker level: \pm 9dB (1dB/step)
Time Alignment: 0 to 133 step (inch/ms)

USB

USB 2.0
Max current supply 1.5A
USB Class:
MSC (Mass Storage Class),
MTP (Media Transfer Protocol)
File system: FAT32, NTFS

BLUETOOTH

V4.2 dual
4dBm Class2
2.4GHz to 2.48GHz

FM TUNER

87.9MHz to 107.9MHz
Usable sensitive 0dB (mono S/N: 30dB)
SNR: 65dB

AM TUNER

530KHz to 1710KHz
Usable sensitive 0dB (mono S/N:20dB)
SNR 58dB

CAMERA(S) VIDEO INPUTS

NTSC OR PAL video formats

SPECIFICATIONS

HDMI INPUT

Supported HDMI Resolutions:
640*480p, 720*480p, 1280*720p,
1920*1080i, 1920*1080p

TOSLINK (OPTICAL)

Output: 48khz Variable

BACKGROUND IMAGE (USER)

File Format: JPG / PNG
Resolution: 1024 x 600
File size is not limited

AUDIO/VIDEO FORMATS

AUDIO

MPEG-1 Audio Layer-3 (.mp3)
FLAC (.flac)
MPEG-2 Advanced Audio (.aac)
MPEG-4 Audio (.m4a)
Windows Audio (.wav)
OGG Audio (.ogg)

VIDEO

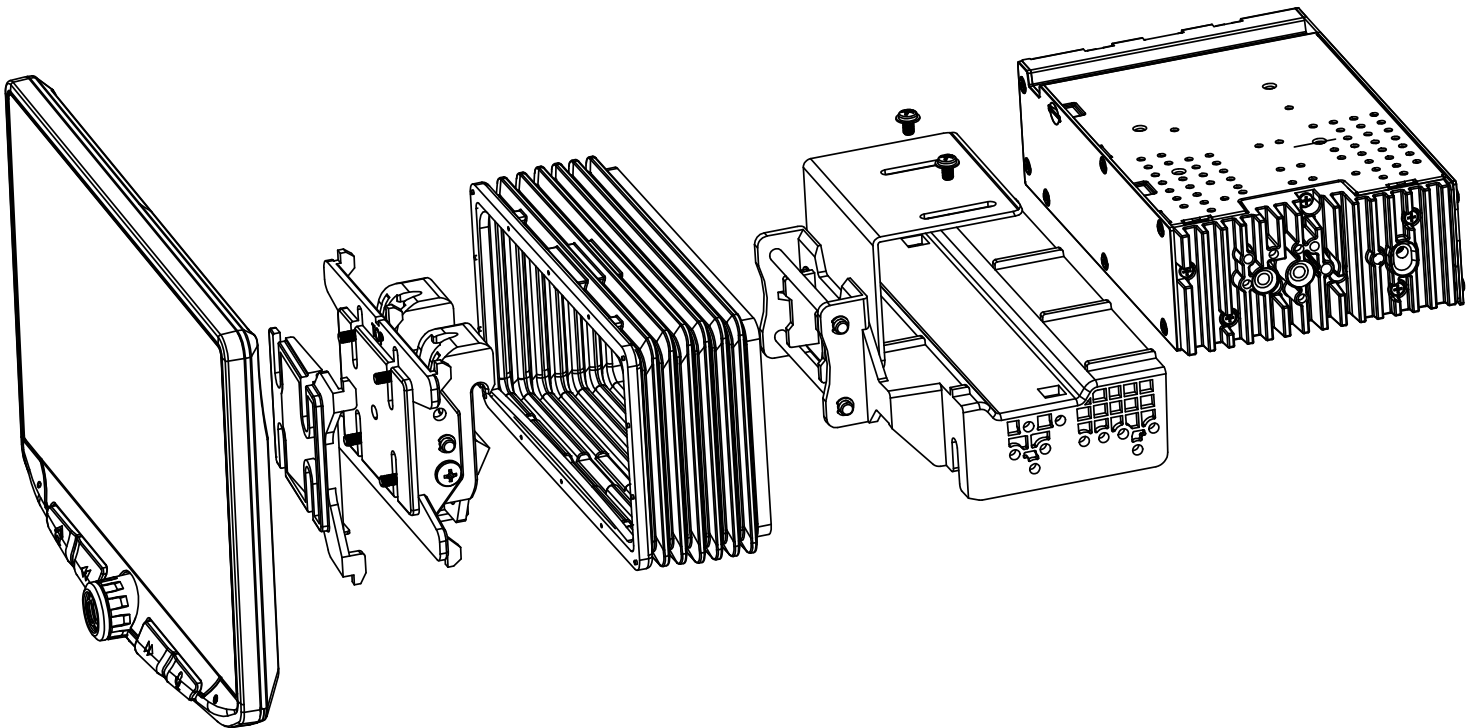
QuickTime (.mov)
MPEG-4 Video (.mp4)
Microsoft AVI (.avi)
MPG Video (.mpg)
MPEG Video 1/2 (.mpeg)
VOB DVD (.vob)
Flash Video (.flv)

IMAGE

JPEG (.jpg)
CompuServe GIF (.gif)
PNG (.png)
JPEG (.jpeg)
Bitmap (.bmp)

INSTALLATION GUIDE

10" MULTIMEDIA RECEIVER
MODEL NUMBER: AERA10D





PRECAUTIONS

Installation of this product requires technical skill and experience. It is recommended to have it professionally installed by an authorized Aerpro/Connects2 Dealer.

Read entire instructions thoroughly before starting.

Disconnect the vehicle's negative battery cable before making any wire connections.

Protect all vehicle surfaces with tape or plastic

Do not install components in any location that will hinder vehicle operation, such as steering wheel, gearshift, air bags, hazard switch.

All wiring should be secured away from sharp edges and moving parts.

**Visit aerpro.com for
User Guide | Install Guides | Updates | Tech Tips**

TECHNICAL ASSISTANCE:

If you need assistance setting up or using your Aerpro product now or in the future, call Aerpro Support. Australia. Mon-Fri 9am – 5pm AEST
TEL: 03 – 8587 8898 FAX: 03 – 8587 8866

AGREEMENT: End user agrees to use this product in compliance with the instructions and terms of use and with all State and Federal laws. AERPRO provides instructions and safety warnings with respect to this product and disclaims all liability for any use not in conjunction with those instructions or other misuse of its product. If you do not agree, please discontinue use and contact AERPRO. This product is intended for off-road use and passenger use only.



AERA10D

INSTALLATION GUIDE

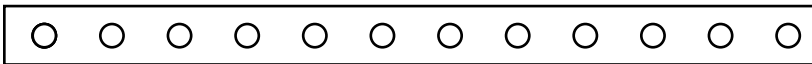
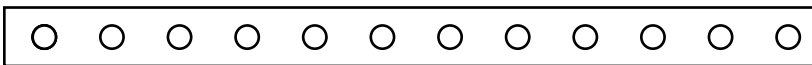
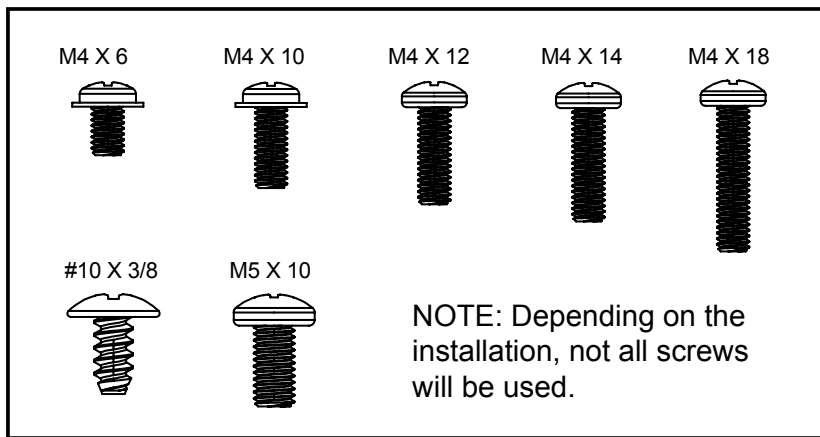
CONTENTS

Contents.....	3
Parts List.....	4
Hardware Guide.....	5
Pre-Assembly.....	6
Display Assembly.....	7
Mounting Options.....	7
Double DIN Dash Kit Mounting.....	8
Double DIN Sub-Dash Kit Mounting.....	10
Double DIN Factory Bracket Mounting.....	12
Single DIN Dash Kit Mounting.....	14
Final Assembly.....	16
Wiring & Connections.....	17
Dimensions.....	21
Troubleshooting.....	22
Upgrades/Options.....	23

Parts List

QTY	DESCRIPTION
1	Touch Panel Display
1	Radio Module
Mounting Brackets / Hardware	
1	Plastic Dash Mounting Bracket
1	Display Mounting Clamp
1	Metal Mounting Bracket
1	Horizontal Display Angle Plate
1	Rubber Boot
4	M4 X 6 Screw
4	M4 X 10 Screw
4	M4 X 12 Screw
2	M4 X 14 Screw
2	M4 x 18 Screw
6	M5 x 10 Screw
6	#10 x 3/8 Screw
2	Backstrap
Cables / Harnesses	
1	8 Pin Display Power Harness - 18in
1	LVDS Display Video Cable - 18in
1	16 Pin Power / Speaker Harness
1	24 Pin AV / Rear Camera Harness
1	10 Pin Multi Camera Harness
1	6 Pin SWI / IR Harness
1	4 Pin Mic / Camera Audio Harness
1	External Microphone
1	GPS Antenna & Mounting Plate

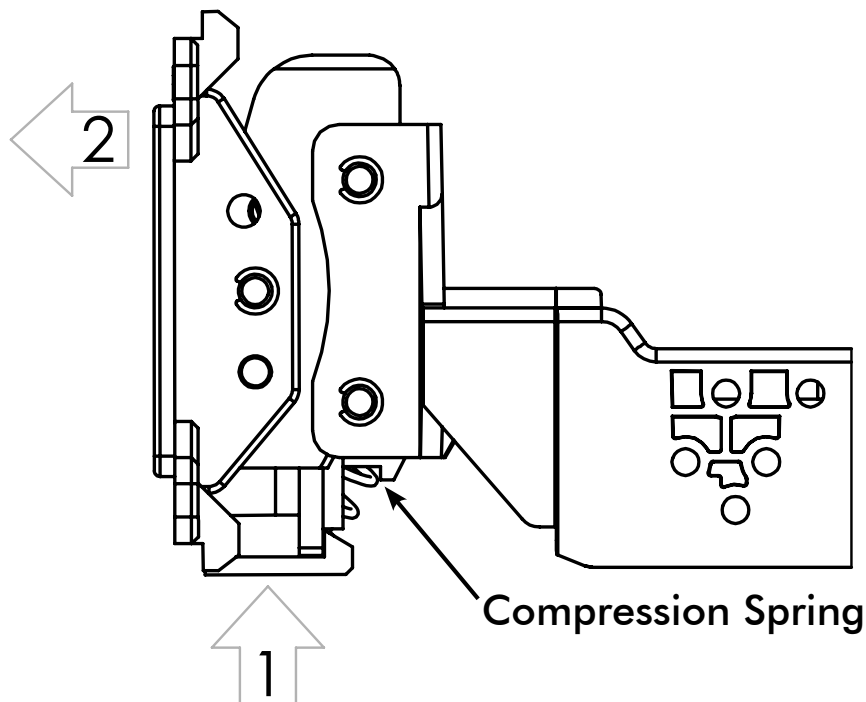
Hardware Guide



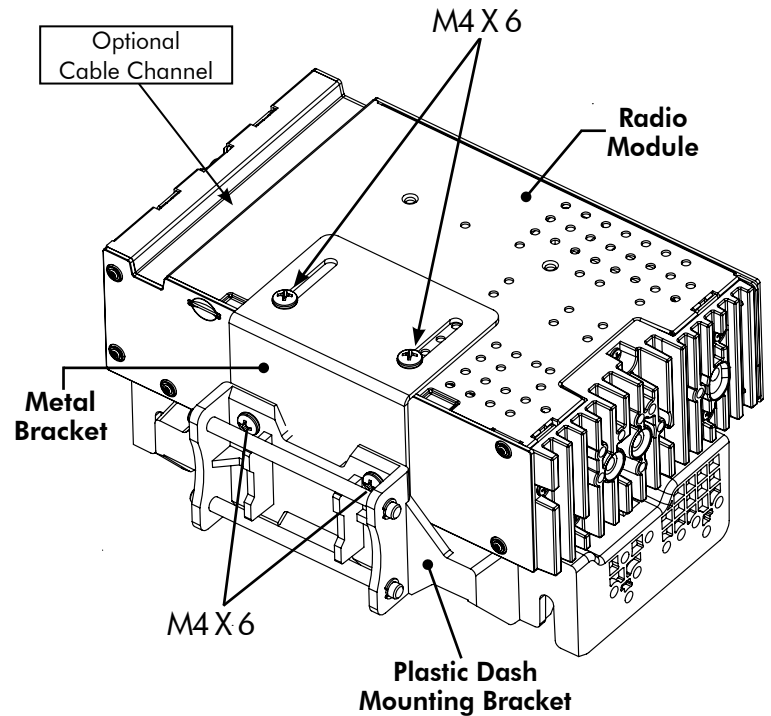
Note: The 2 Backstrap (SE-1003) can be used in some applications to add additional support or used in custom installations. The backstrap may mount to the sides of the radio chassis using the provided screws in the existing mounting locations or can be mounted directly to the Plastic Dash Mounting Bracket.

1

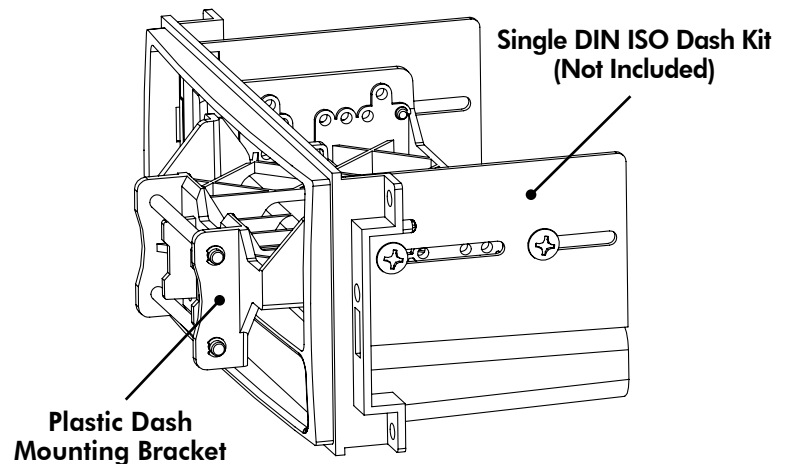
Remove the clamp assembly from the plastic mounting bracket by pushing up from compression spring side (1) and swing out to unhook top (2).



Double DIN Applications: Attach the *Metal Bracket* to the *Plastic Dash Mounting Bracket* using M4 X 6 screws. Attach metal bracket and plastic dash mounting bracket assembly to the *Radio Module* using M4 X 6 screws.



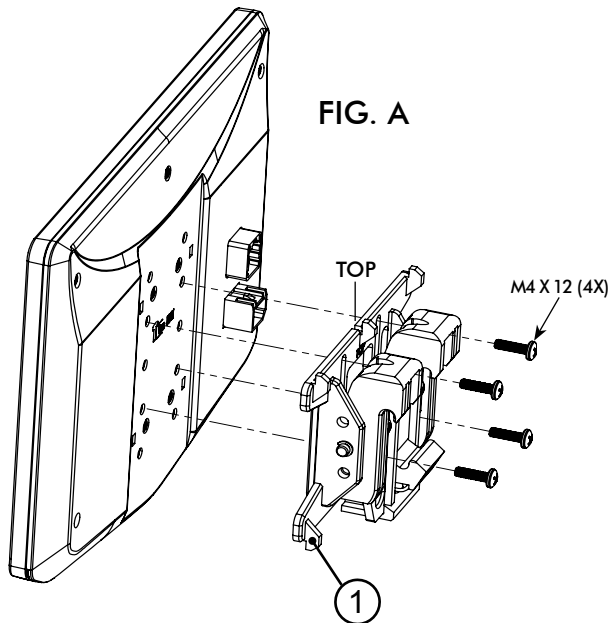
Single DIN Applications: For Single DIN installations, the *Plastic Dash Mounting Bracket* will be mounted in the dash kit and the *Radio Module* will be mounted remotely. Before beginning the installation, determine where the *Radio Module* will be installed and make sure the Display Cables are long enough. Longer, 1.5 Metre cables are available (SE-1501 & SE-1502).



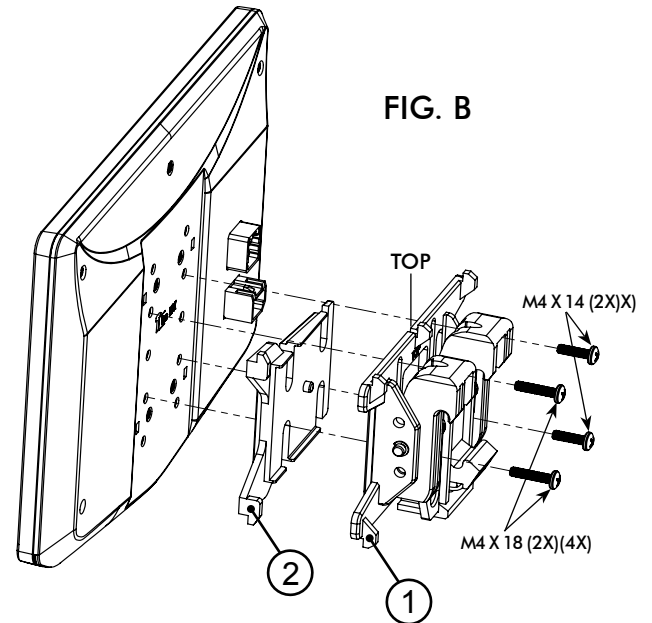
3 Display Assembly

The display can be installed Flat or with a Horizontal Angle towards the driver. For flat mounting, attach the Clamp Assembly (1) to the display using M4 X 14 screws (FIG. A). If a horizontal angle is desired, insert the Angle Plate (2) in between the clamp and display and replace 2 of the M4 X 14 screws with longer M4 X 18 screws on the thicker side of the angle plate (FIG. B). Center the bracket on the back of the display as a starting point, and if needed you can adjust up or down.

No Horizontal Angle



With Horizontal Angle



Always ensure TOP indicator on the Clamp Assembly is facing UP.

Multiple Mounting Options

AERA10D can be configured for different mounting applications:

- 4A Using a Double DIN Dash Kit (PAGE 8)
- 4B Using a Double DIN Sub-Dash Kit (PAGE 10)
- 4C Using a Double DIN Factory Radio Mounting Brackets (PAGE 12)
- 4D Using a Single DIN ISO Mountable Dash Kit, relocating Radio Module (PAGE 14)

Custom Mounting Applications.

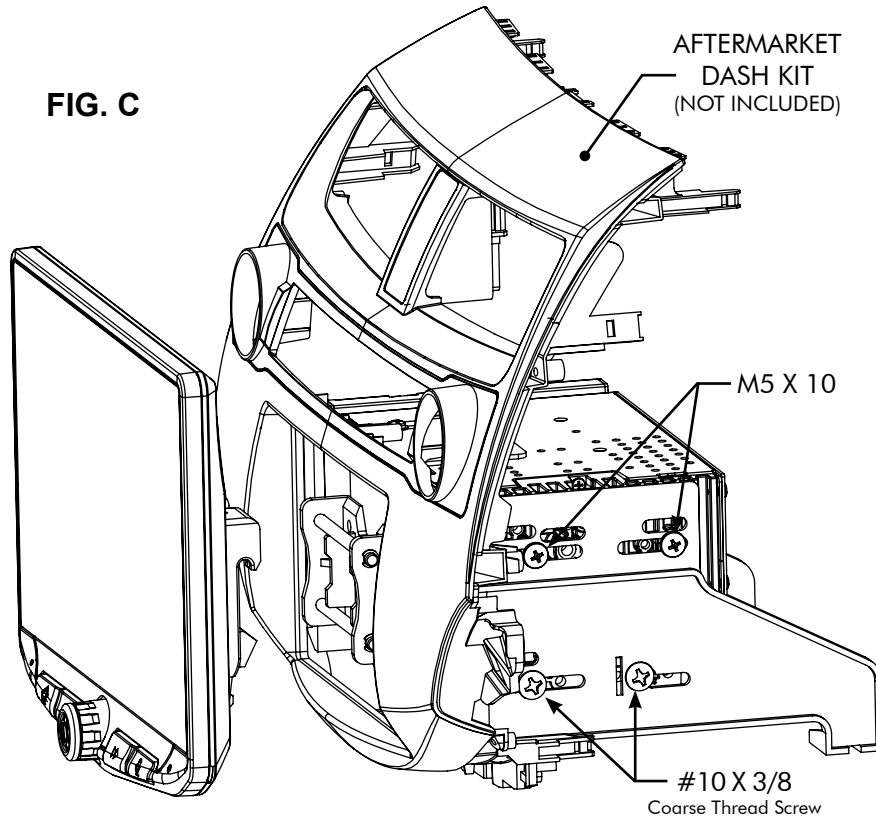
See Aerpro website for TECH TIPS on vehicle specific installations.

Using a Double DIN Dash Kit:

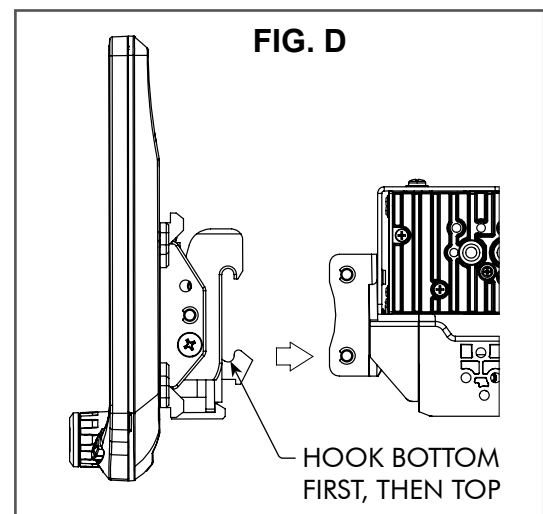
Radio chassis mounts to the brackets attached to the kit main frame

Display Adjustment & Mounting:

1. Install the dash kit side brackets to the main frame.
2. Making sure to use all 8 screws, loosely attach the radio module & mounting bracket assembly to the side kit brackets (**FIG. C**).
 - a. (4x) #10 X 3/8 screws for the plastic mounting bracket locations
 - b. (4x) M5 X 10 or (4x) M4 X 10 screws for the radio module locations (use any combination of screws to locate the radio in the best position)



3. Attach the display to the bracket assembly by hooking bottom spring hook and then pushing up and hooking top hooks. (**FIG. D**)



NOTE: BOOT AND DASH KIT NOT SHOWN

4. Determine the desired position of the display:
 - a. Display can be vertical or tilted up (**FIG. E**)
 - b. Display can slide up or down (Page 7)
 - c. Display can be tilted horizontally (Page 7 – **FIG. B**)

Note: There are multiple mounting holes on the mounting bracket to allow adjusting the mounting depth. You may drill additional holes in the mounting bracket and/or the dash kit brackets to align the display in the best position and ensure you can use all 8 mounting screws.

5. Once in the desired position, tighten screws to the radio chassis (top) and mounting bracket assembly (bottom).

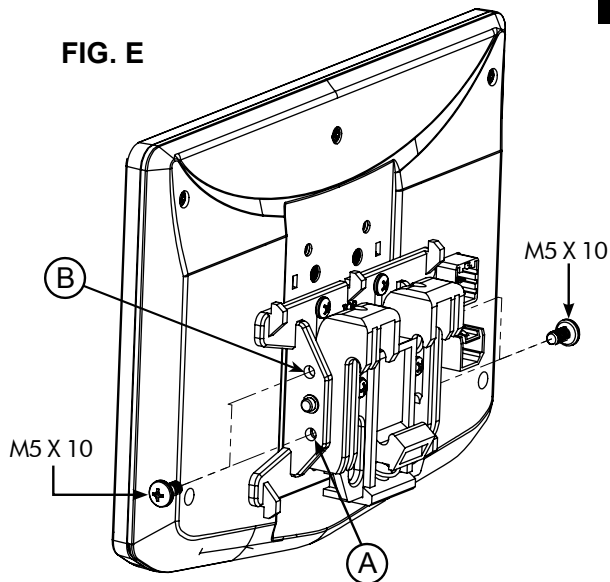
Note: If the display prevents the factory dash panel(s) from being installed last, do not push the display all the way up against the dash kit. Leave enough bottom gap as the display's bottom edge rotates towards the dash kit.

6. Remove the display from the bracket assembly by pushing up from compression spring side (1) and swing out to unhook top (2). (**FIG. F**)

Note: If there is a depth issue with the radio module in the top position, move it to the bottom location by inverting the mounting bracket assembly. (**FIG. G**)

PROCEED TO STEP 5
on Page 16

FIG. E



VERTICAL TILT: Use **Hole A** for no vertical tilt or **Hole B** for 8 degrees of vertical tilt. Insert a M5 X 10 on each side of the clamp assembly at desired tilt.

FIG. F

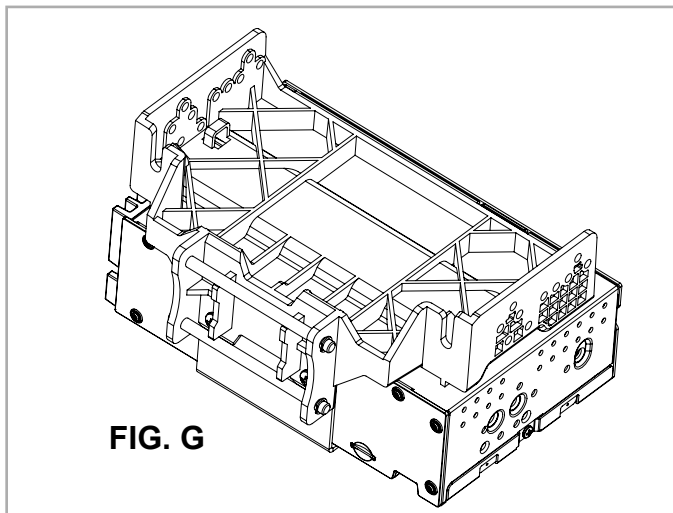
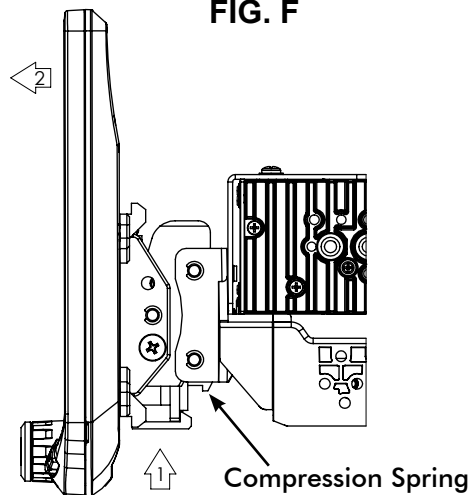


FIG. G

Using a Double DIN Dash Kit:

Radio chassis mounts to the kit brackets in the sub-dash, not to the kit main frame

Display Adjustment & Mounting:

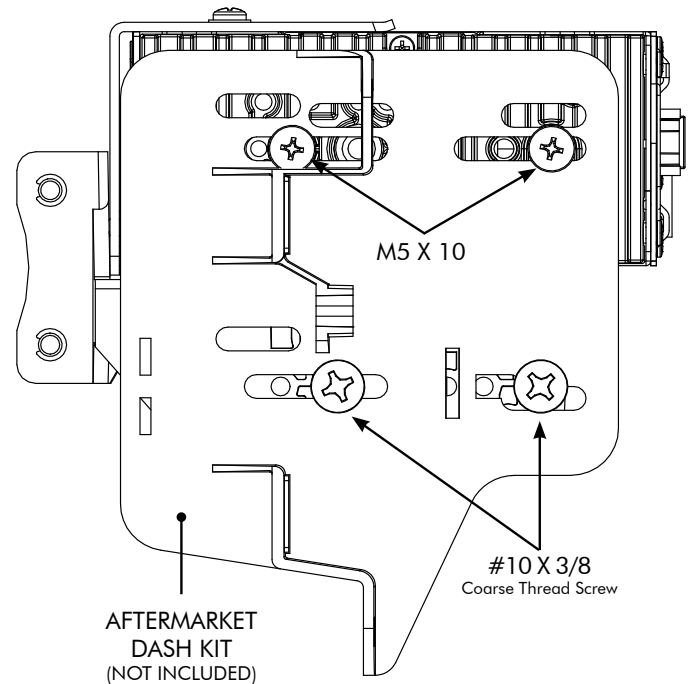
1. Use all 8 kit mounting screws to attach the radio module & plastic mounting bracket assembly to the kit brackets at the front most location (not to exceed the front of the kit bracket). (FIG. H)
 - a. (4x) #10 X 3/8 screws for the bottom locations
 - b. (4x) M5 X 10 or (4x) M4 X 10 screws for the radio module locations (use any combination of screws to locate the radio in the best position)

Note: There are multiple mounting holes on the plastic mounting bracket to allow adjustment of the mounting depth. You may drill additional holes in the mounting bracket and/or the dash kit brackets to align the display in the best position and ensure you can use all 8 mounting screws.

2. Install the assembly (from Step 1) into the vehicle (using factory screws/bolts).

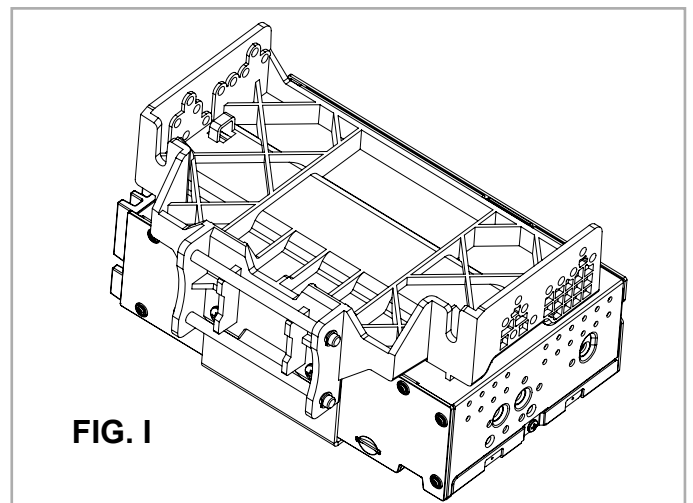
3. Install the dash kit main frame and any factory panels that would affect the display installation.

FIG. H



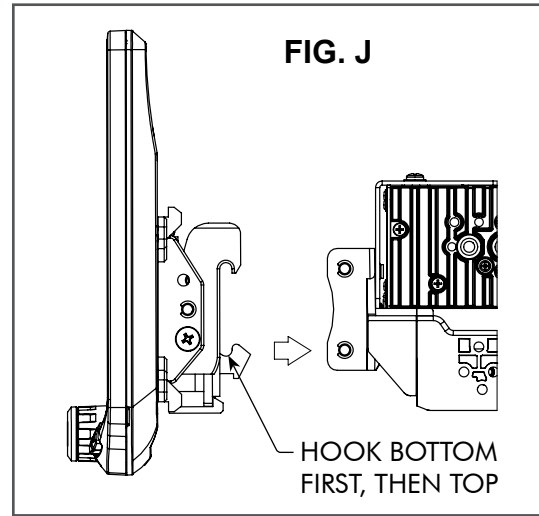
Note: If there is a depth issue with the radio module in the top position, move it to the bottom location by inverting the mounting bracket assembly. (FIG. I)

FIG. I



4. Attach the display to the mounting bracket assembly by hooking bottom spring hook and then pushing up and hooking top hooks. (FIG. J)

5. Determine the desired position of the display:
- a. Display can be vertical or tilted up (FIG. K)
 - b. Display can slide up or down (Page 7)
 - c. Display can be tilted horizontally (Page 7 – FIG. B)

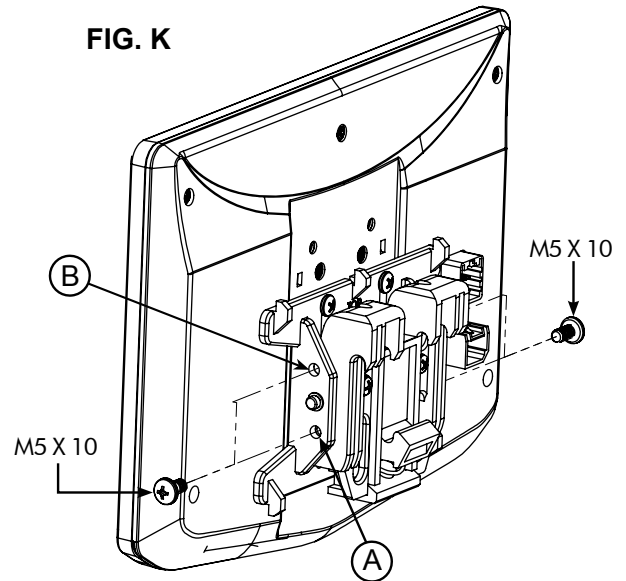


NOTE: BOOT AND DASH KIT NOT SHOWN

6. Determine the final front to back position by measuring the shortest distance between the display to the dash kit main frame or the factory dash and subtract that distance/measurement by ~6.35mm

Note: Do not push the display all the way up against the dash. Leave enough bottom gap as the display's bottom edge rotates towards the dash.

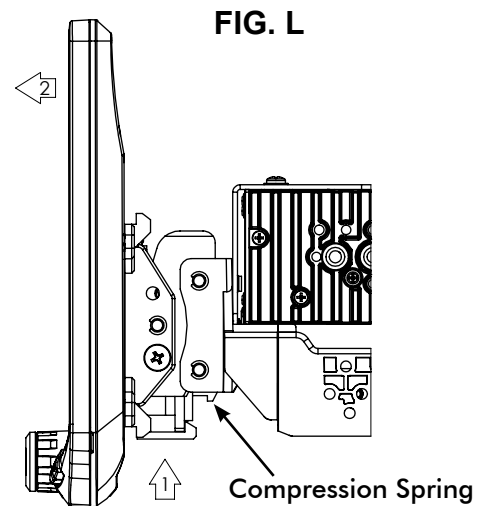
7. Remove the display from the bracket assembly by pushing up from compression spring side (1) and swing out to unhook top (2). (FIG. L)



VERTICAL TILT: Use **Hole A** for no vertical tilt or **Hole B** for 8 degrees of vertical tilt. Insert a M5 X 10 on each side of the clamp assembly at desired tilt.

8. Remove the radio module & mounting bracket assembly from the vehicle. Using the measurement taken in step 6, slide the radio module & bracket assembly back to that distance.

**PROCEED TO STEP 5
on Page 16**



Using Factory Radio Brackets:

Radio chassis mounts to the factory brackets in the sub-dash

Display Adjustment & Mounting:

1. Use all 8 kit mounting screws to attach the radio module & plastic mounting bracket assembly to the factory brackets. (FIG. M)

a. (4x) #10 X 3/8 screws for the bottom locations

b. (4x) M5 X 10 or (4x) M4 X 10 screws for the top locations (radio module).

If factory bracket is thinner than 1mm, add a washer to space the screws out.

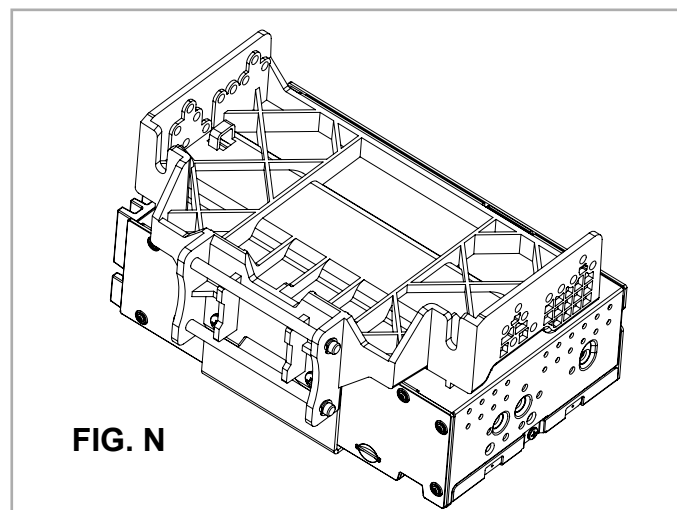
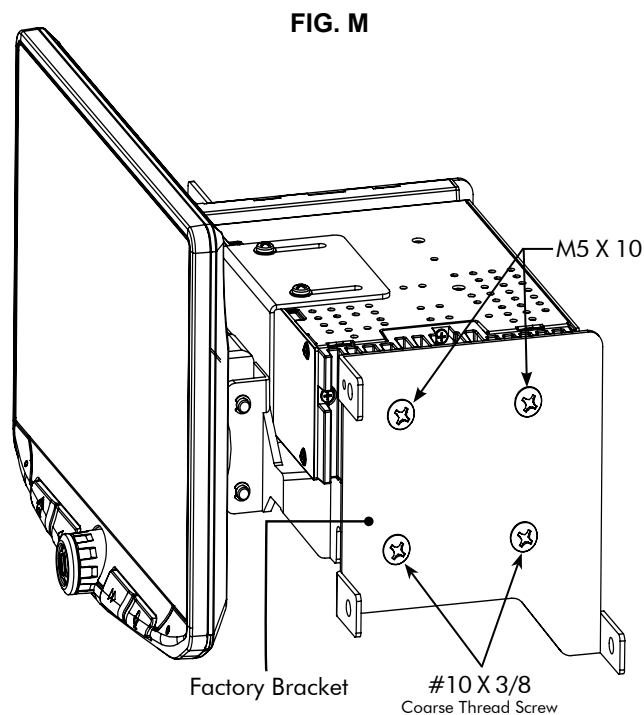
New holes in the factory brackets may need to be drilled for optimal screen position

Note: There are multiple mounting holes on the plastic mounting bracket to allow adjusting the mounting depth. You may drill additional holes in the mounting bracket and/or the factory brackets to align the display in the best position and ensure you can use all 8 mounting screws.

2. Install the assembly (from Step 1) into the vehicle (using factory screws/bolts).

3. Install the dash kit main frame and any factory panels that would affect the display installation.

Note: If there is a depth issue with the radio module in the top position, move it to the bottom location by inverting the mounting bracket assembly. (FIG. N)



4. Attach the display to the mounting bracket assembly by hooking bottom spring hook and then pushing up and hooking top hooks. (FIG. O)

5. Determine the desired position of the display:
- a. Display can be vertical or tilted up (FIG. P)
 - b. Display can slide up or down (Page 7)
 - c. Display can be tilted horizontally (Page 7 – FIG. B)

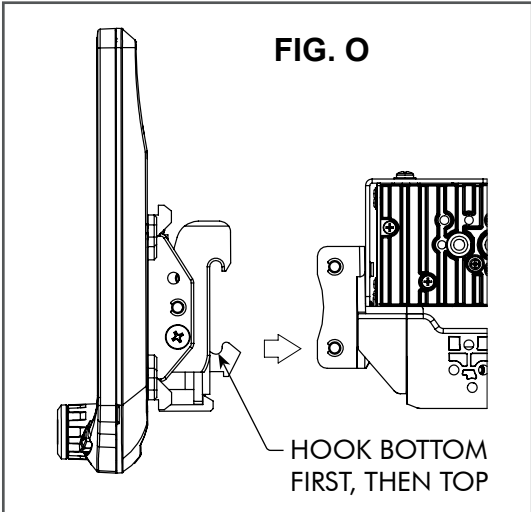
6. Determine the final front to back position by measuring the shortest distance between the display to the dash kit main frame or the factory dash and subtract that distance/measurement by ~6.35mm

Note: Do not push the display all the way up against the dash. Leave enough bottom gap as the display's bottom edge rotates towards the dash.

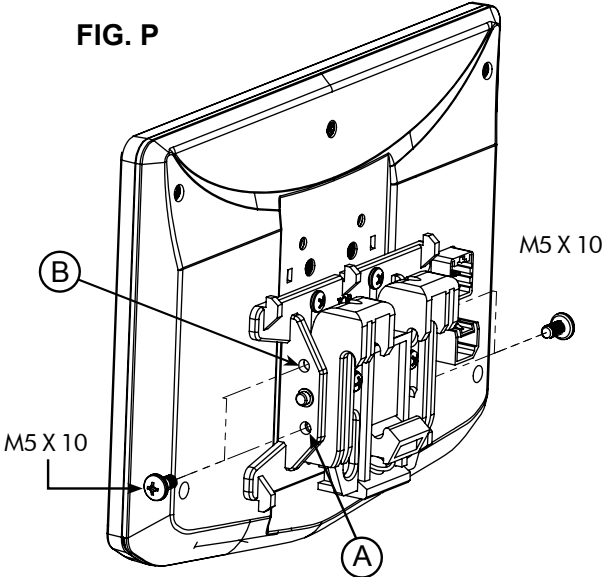
7. Remove the display from the bracket assembly by pushing up from compression spring side (1) and swing out to unhook top (2). (FIG. Q)

8. Remove the radio module & mounting bracket assembly from the vehicle. Using the measurement taken in step 6, install the radio module & bracket assembly back to that distance. (New holes in the factory brackets may need to be drilled).

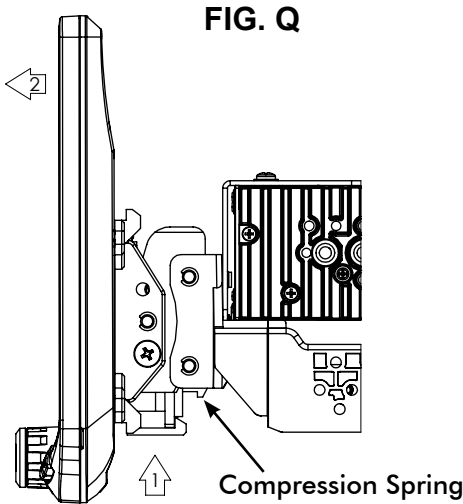
**PROCEED TO STEP 5
on Page 16**



NOTE: BOOT AND DASH KIT NOT SHOWN



VERTICAL TILT: Use **Hole A** for no vertical tilt or **Hole B** for 8 degrees of vertical tilt. Insert a M5 X 10 on each side of the clamp assembly at desired tilt.

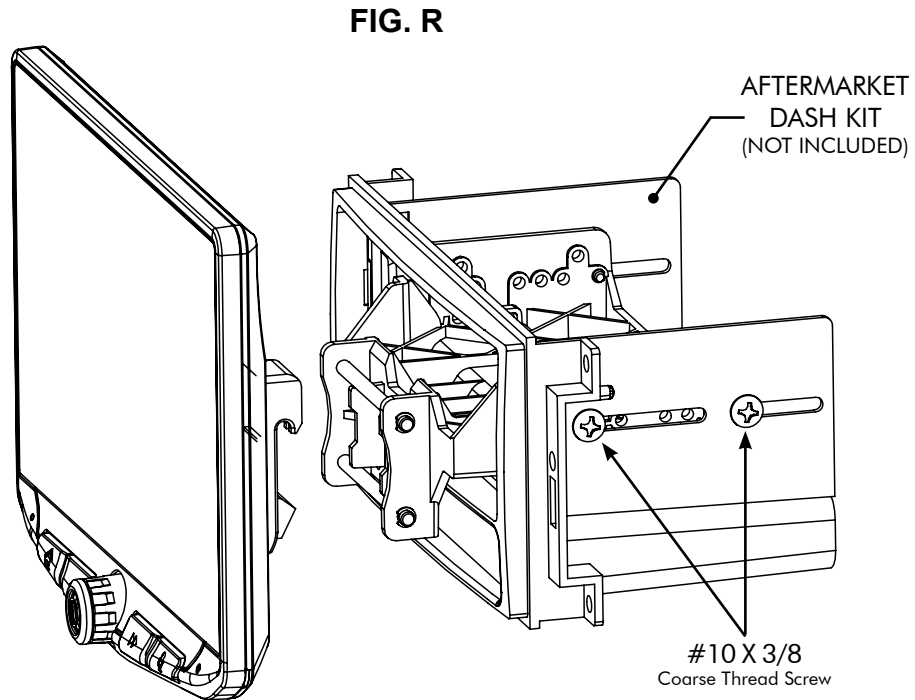


Using a Single DIN ISO Mountable Dash Kit:

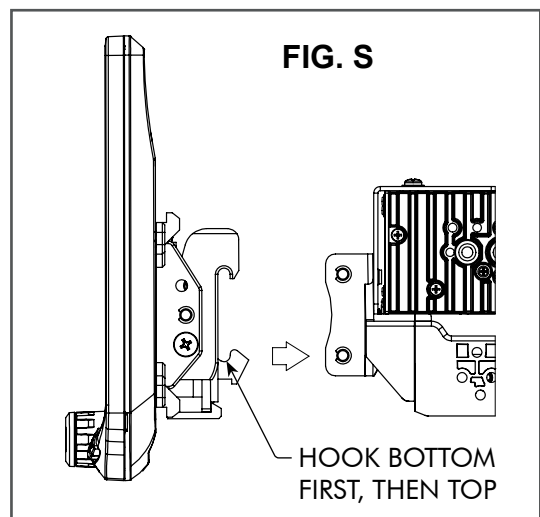
Radio chassis mounts separately into the sub-dash

Display Adjustment & Mounting:

1. Install the dash kit brackets to the main frame.
2. Making sure to use 4 screws, loosely attach the plastic mounting bracket assembly to the side kit brackets. (FIG. R)
 - a. (4x) #10 X 3/8 screws



3. Attach the display to the bracket assembly. (FIG. S)



NOTE: BOOT AND DASH KIT NOT SHOWN

4. Determine the desired position of the display:
- Display can be vertical or tilted up (**FIG. T**)
 - Display can slide up or down (Page 7)
 - Display can be tilted horizontally (Page 7 – **FIG. B**)

Note: There are multiple mounting holes on the mounting bracket to allow adjusting the mounting depth. You may drill additional holes in the mounting bracket and/or the dash kit brackets to align the display in the best position and ensure you can use 4 mounting screws.

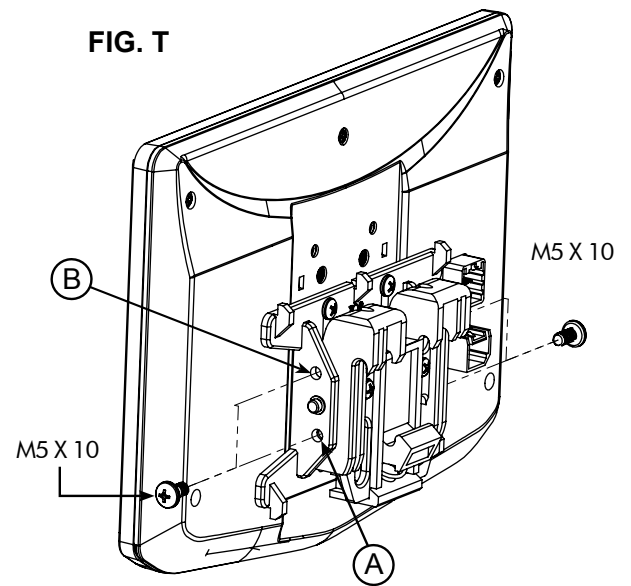
5. Once in the desired position, tighten screws to the mounting bracket assembly.

Note: If the display prevents the factory dash panel(s) from being installed last, do not push the display all the way up against the dash kit. Leave enough bottom gap as the display's bottom edge rotates towards the dash kit.

6. Remove the display from the bracket assembly by pushing up from compression spring side (1) and swing out to unhook top (2). (**FIG. U**)

Note: The plastic mounting bracket assembly may be inverted to align the display in the best position. (**FIG. V**)

FIG. T



VERTICAL TILT: Use **Hole A** for no vertical tilt or **Hole B** for 8 degrees of vertical tilt. Insert a M5 X 10 on each side of the clamp assembly at desired tilt.

FIG. U

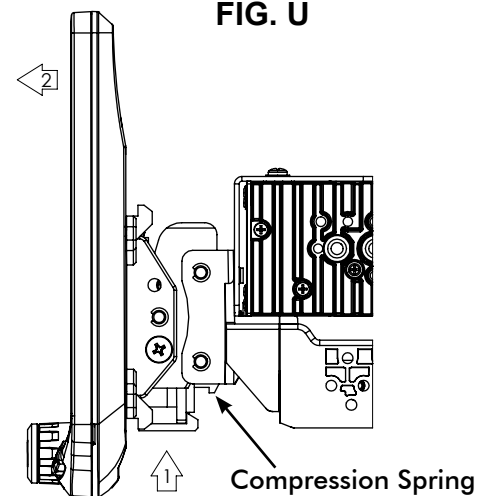
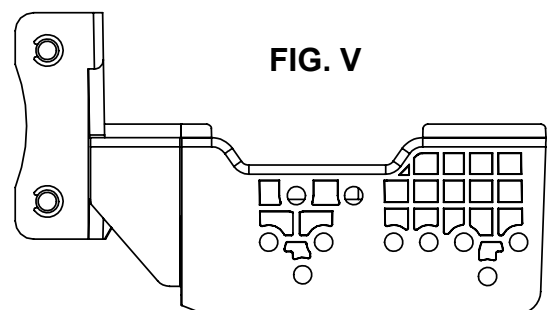


FIG. V



PROCEED TO STEP 5
on Page 16

Final Assembly

5

If needed, attach the rubber boot to the display clamp assembly by aligning the notch on the top edge as shown, and hook the boot to the clamp at 5 locations. (FIG. W)

Note: The boot is not required if display sits very close to the dash/dash kit and no large gap is seen.

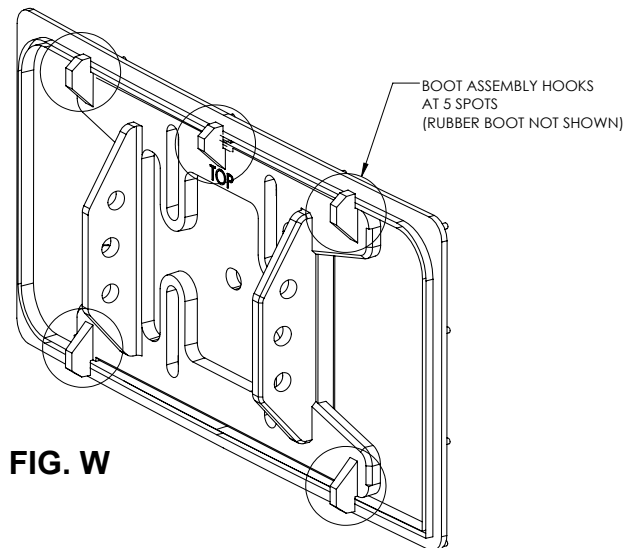
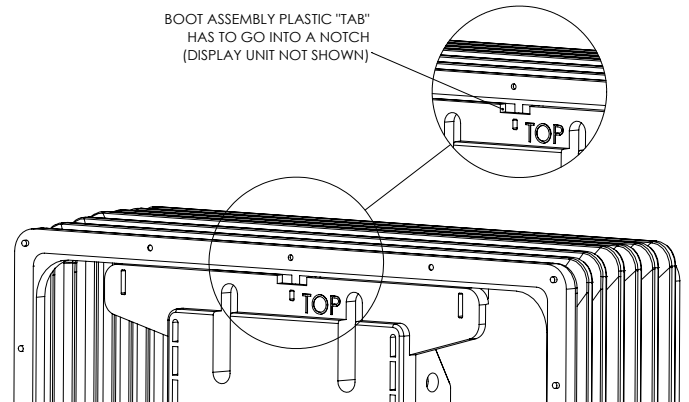
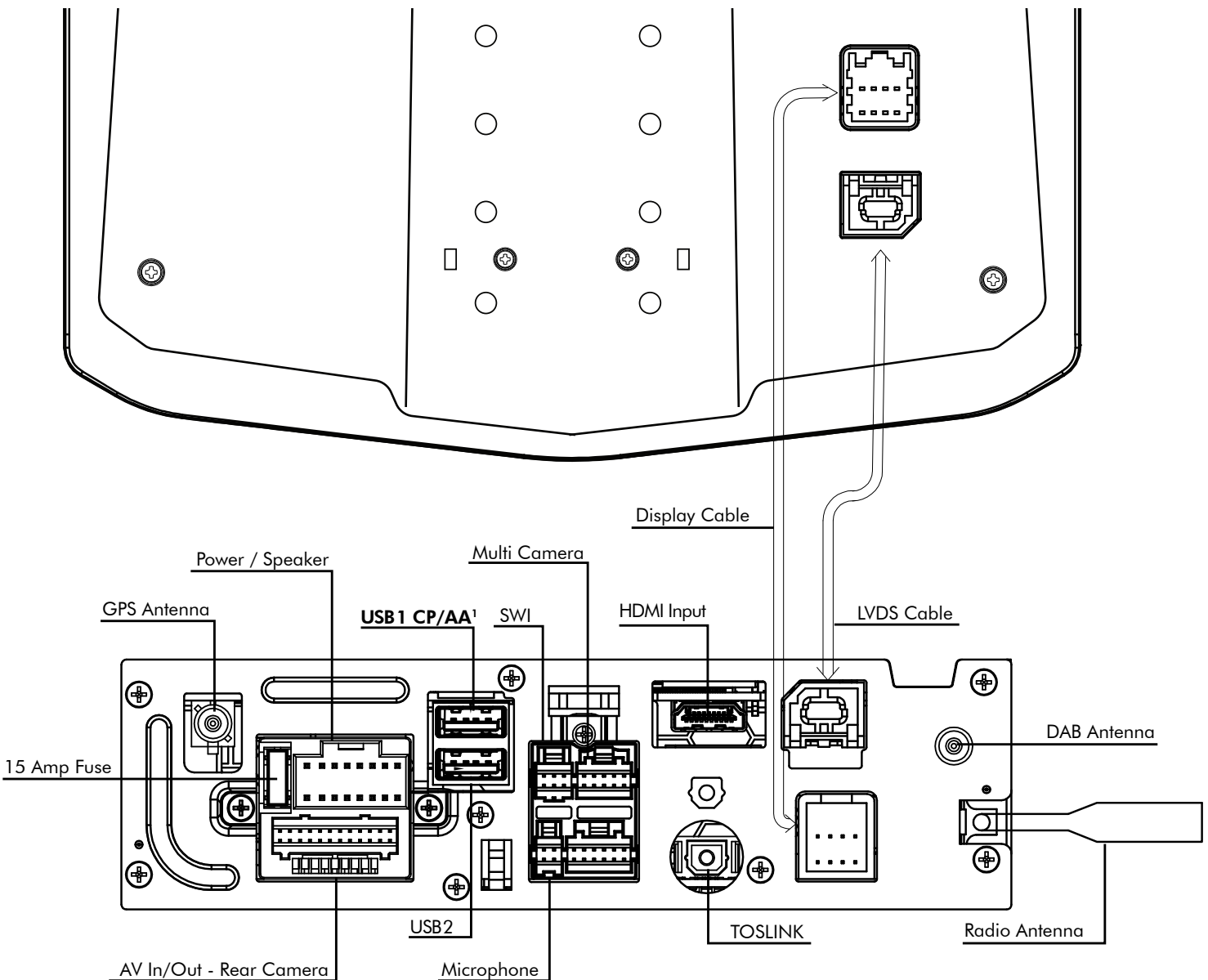


FIG. W

6

After all wiring connections are made in the next section, the dash kit with the radio chassis and bracket assembly, should be installed and any factory panels reinstalled. Connect the 8 Pin Display Power Harness and the LVDS Video Cable to the back of the display and attach display to mounting bracket.

Wiring and Connections



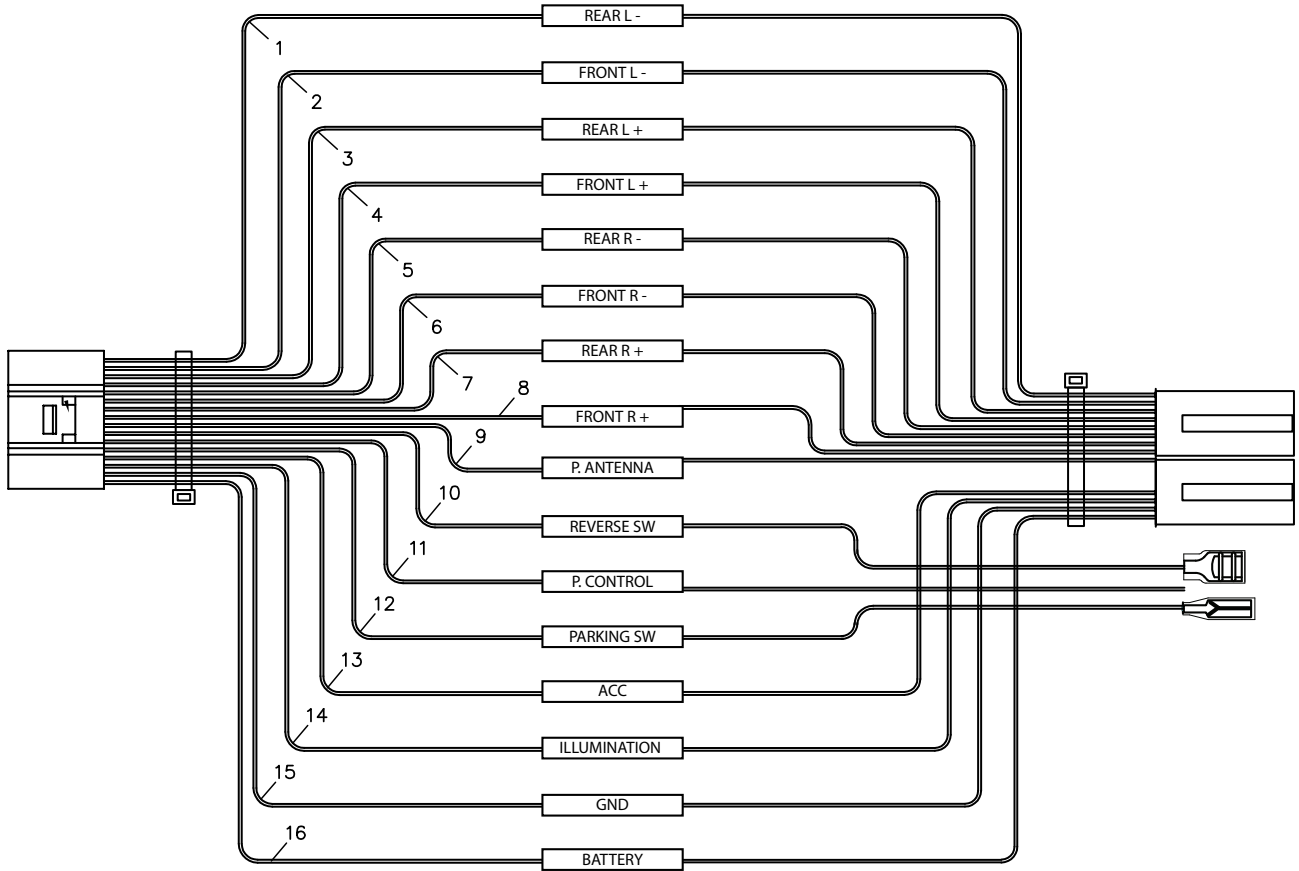
¹The top USB1 must be used for Apple CarPlay and Android Auto.

GPS Antenna must be installed for accurate operation of Apple CarPlay, Android Auto & internal Navigation.

Wiring and Connections

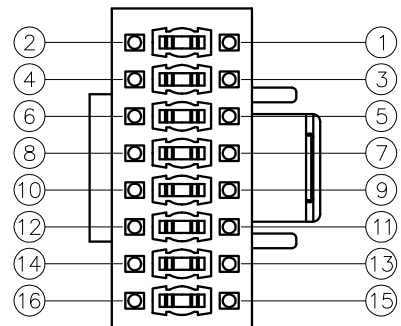
16 Pin Power / Speaker Harness

Connect radio power and speaker connections to a vehicle specific harness (sold separately) referencing diagram below.



IN WIRING HARNESS

Purple	Right Rear Speaker +
Purple/Black	Right Rear Speaker -
Green	Left Rear Speaker +
Green/Black	Left Rear Speaker -
Grey	Right Front Speaker +
Grey/Black	Right Front Speaker -
White	Left Front Speaker +
White/Black	Left Front Speaker -
Yellow	Permanent 12V +
Black	Ground -
Red	Ignition 12V +
Orange	Illumination +
Blue	Power Antenna +
Purple/White	Reverse Gear +
Blue/White	Power Control +
Light Green	Park Brake +



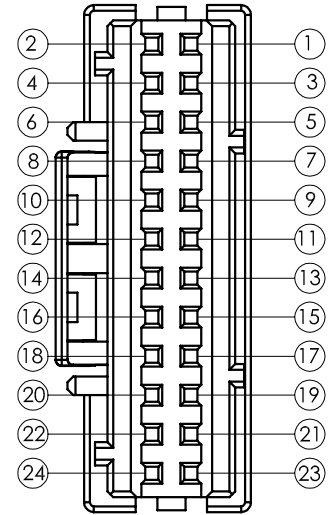
Connector View is pin side

Wiring and Connections

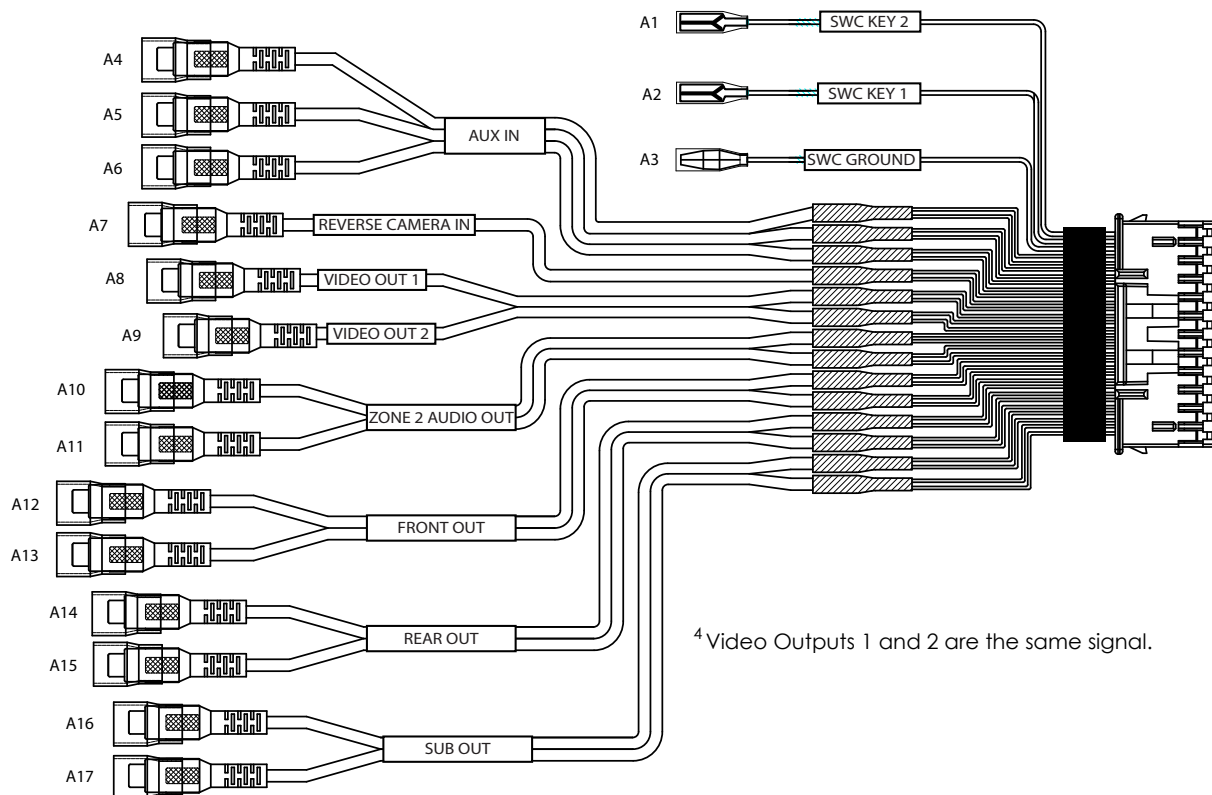
24 Pin AV / Rear Camera Harness

Audio/Video Inputs & Outputs / Rear Camera Video Input / Resistive Steering Wheel Control Inputs
 To program SWC, go to SETTINGS > Systems Settings > Installer Settings > Passcode:0052 > Advanced Vehicle Settings > Steering Wheel Control. Do not use if using a PAC SWI Interface.

Analog Steering Wheel Control Input	A1	Brown / Black	SWC Key 2
	A2	Brown	SWC Key 1
	A3	Black	SWC Ground
Audio / Video Input	A4	Yellow RCA	Video Input
	A5	White RCA	Audio Input Left
	A6	Red RCA	Audio Input Right
	A7	Yellow RCA	Camera Input
Video Output ⁴	A8	Yellow RCA	Video Output 1
	A9	Yellow RCA	Video Output 2
Audio Output	A10	White RCA	Zone 2 Left
	A11	Red RCA	Zone 2 Right
	A12	Red RCA	Right front
	A13	White RCA	Left Front
	A14	Red RCA	Right Rear
	A15	White RCA	Left Rear
	A16	White RCA	Left Subwoofer
A17	Red RCA	Right Subwoofer	



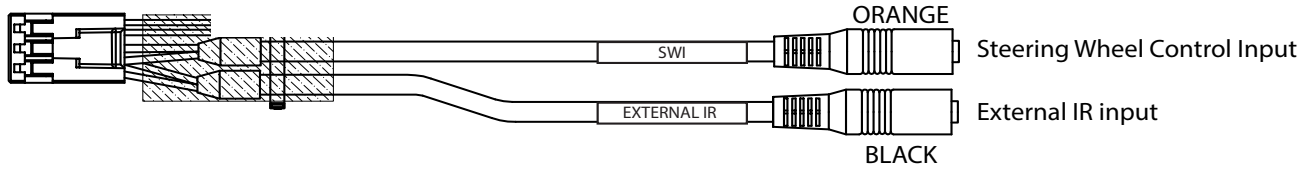
Connector View is pin side



Wiring and Connections

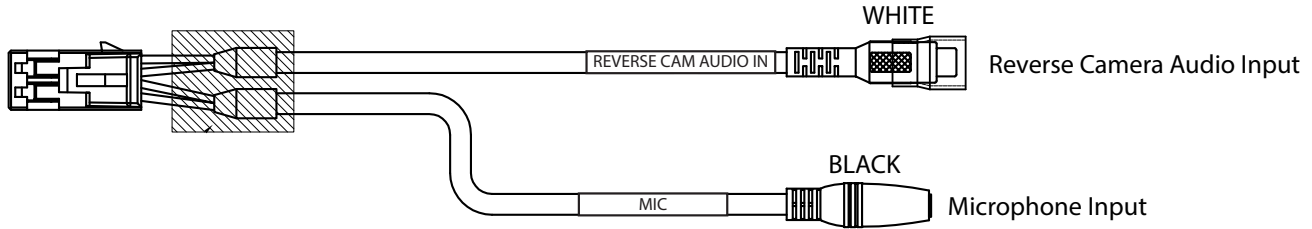
6 Pin SWI / IR Harness

3.5mm Input for optional Steering Wheel Control Interface



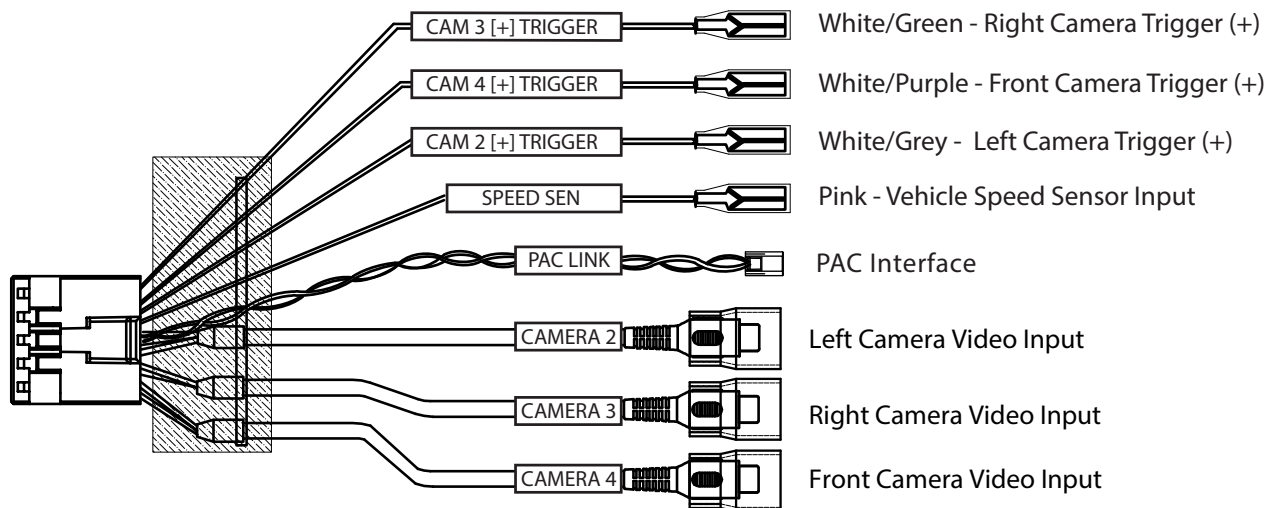
4 Pin Microphone / Camera Audio Harness

Input for External Microphone (included) used for hands-free calling, Apple CarPlay and Android Auto / Optional reverse camera audio input

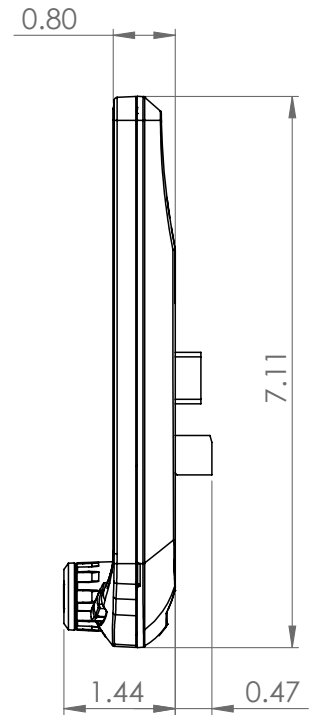
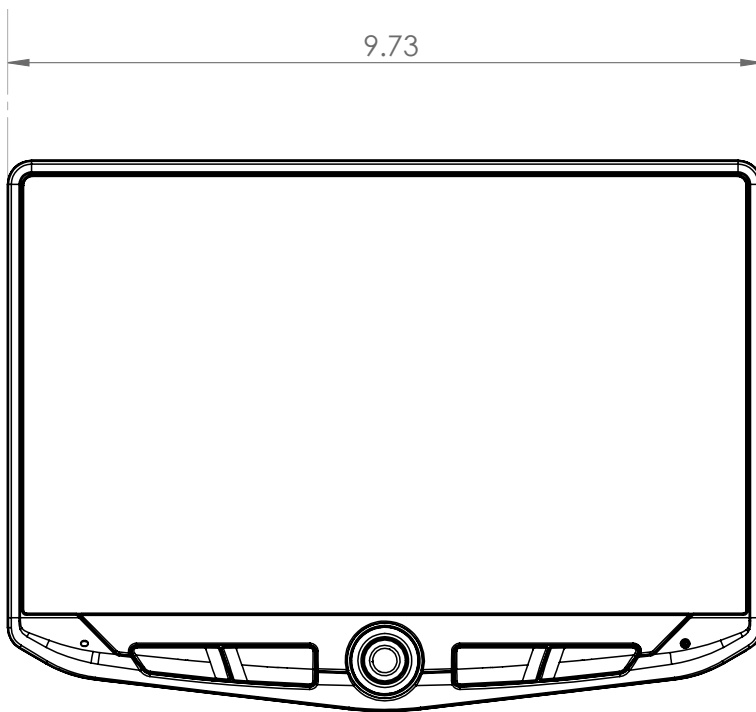


10 Pin Multi Camera Harness

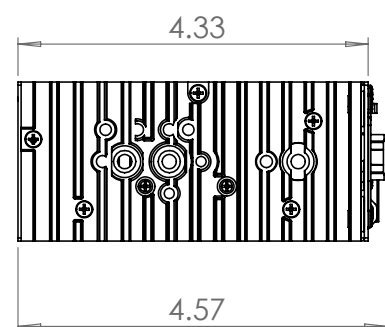
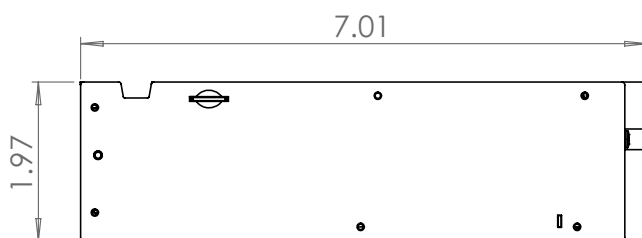
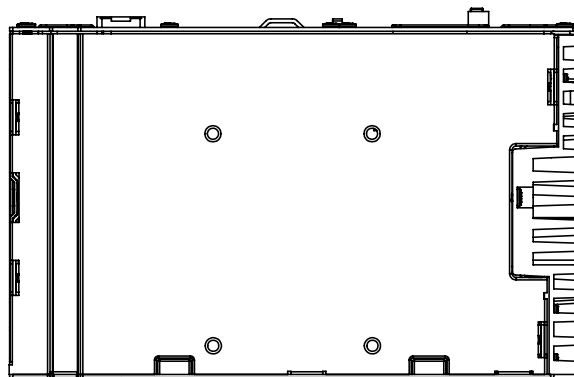
3 additional camera inputs and triggers / Vehicle Speed / PAC Link
Camera Triggers 2 & 3 will accept a pulsing + trigger (turn signal).



Dimensions (in)



DIMENSIONS ARE IN INCHES



DIMENSIONS ARE IN INCHES

Troubleshooting

General

Black Screen with Audio

Touch the screen anywhere as it may have been turned off.

Ensure the display cables on the back of the display are fully locked into place and also properly connected at the back of the radio module.

Installer Settings

To access the Installer Settings for firmware updates, SWC programming, factory reset, go to MENU > SETTINGS > SYSTEM SETTINGS > INSTALLER SETTINGS > **Passcode: 0052** > OK

Bluetooth

Device will not Pair

Ensure Bluetooth is turned ON in your device settings. Delete all unused devices. Restart/Reboot device and try pairing again.

Music Volume is low

- Turn up volume on device
- Turn up volume on head unit
- Turn up BT Volume Gain
(MENU > SOUND SETTINGS > AUDIO SETTINGS > ADVANCED SETTINGS > SOURCE GAIN)

Phone Volume is low

- Turn up volume on device
- Turn up volume on head unit
- Turn up BT Volume Gain
(MENU > SOUND SETTINGS > AUDIO SETTINGS > ADVANCED SETTINGS > SOURCE GAIN)
- Turn up Mic Gain
(MENU > PHONE > SETTINGS)

No Microphone / Voice Control

- Set Microphone location
(MENU > PHONE > SETTINGS)

Video/Cameras

Rear Camera not displaying in reverse

- Make sure rear camera trigger is ON -
(MENU > CAMERAS > CAMERA SETTINGS)
- If display is showing NO SIGNAL in reverse, ensure camera RCA is plugged into correct RCA input (CAMERA IN).
- Confirm camera has power and ground.
- Confirm camera trigger is receiving positive 12V.

Note: NTSC and PAL video formats only.

Apple CarPlay

Apple CarPlay will not start/launch

- Ensure an Apple certified cable is being used
- Ensure cable is plugged into USB #1 (top)
- Make sure Apple CarPlay is turned ON
(MENU > SETTINGS > SYSTEM SETTINGS > Apple CarPlay)

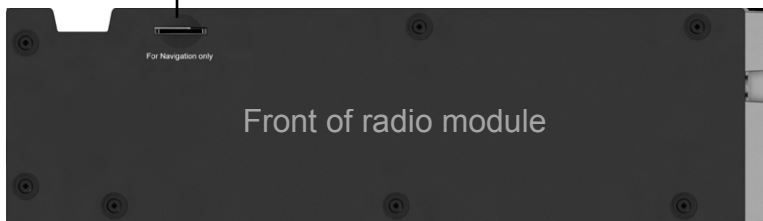
Android Auto

Android Auto

- Ensure a USB certified cable is being used
- Make sure Android Auto app is downloaded and installed on your device.
- Ensure cable is plugged into USB #1 (top)
- Make sure Android Auto is turned ON
(MENU > SETTINGS > SYSTEM SETTINGS > Android Auto)

Micro SD Card slot (Not used)

Micro SD Card slot



NOTES:
